

UNIK5600/5700

**Marine Approved Sensor
Demountable Backend Exchange Manual**

1. INTRODUCTION

- This manual contains the removal and installation procedure for the backend of the demountable KYNAR cable and demountable TPE-U cable version of the UNIK5600/5700.
- Read the whole installation procedure before starting installation. The technical specification is detailed in the datasheet.

2. CAUTIONS

- All the operations described in this manual should only be performed by trained and authorized professionals.
- Always wear the necessary personal protective equipment when completing this procedure.



WARNING Do not complete this procedure in a hazardous area while an explosive atmosphere is present - THIS CAN CAUSE AN EXPLOSION. Isolate the power supply to the equipment first.

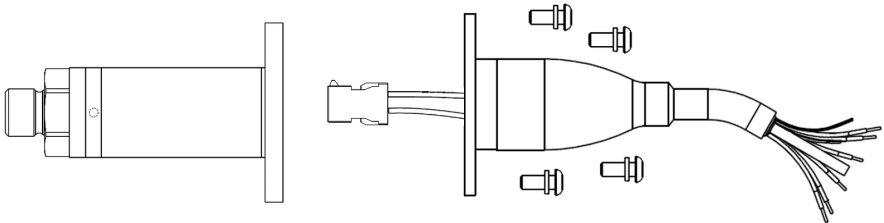
3. INSTALLATION

3.1 Accessories & Tools Preparation

- Torque wrench (1.8 Nm)
- 2.5mm Hexagon bit
- O-ring (163M2956-1)

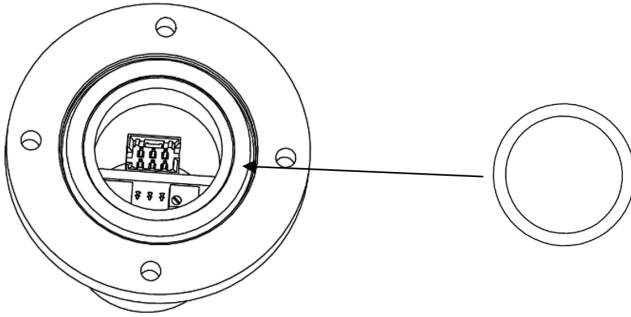
3.2 Disassembly Procedure

1. Remove the screws and spring washers.
2. Separate the flange and unplug the connector. Make sure the flying leads are not pulled out from the connector.

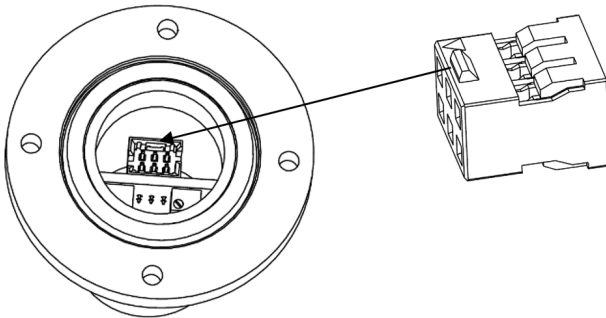


3.3 Re-assembly

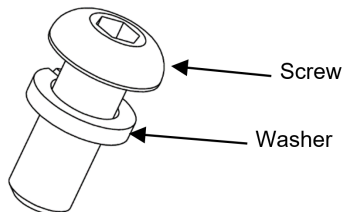
1. Exchange O-ring and put it into the seal groove. Make sure the O-ring is fully seated in the groove. Please always replace with a new O-ring when reassembling the backend. The part number of the O-ring is 163M2956-1.



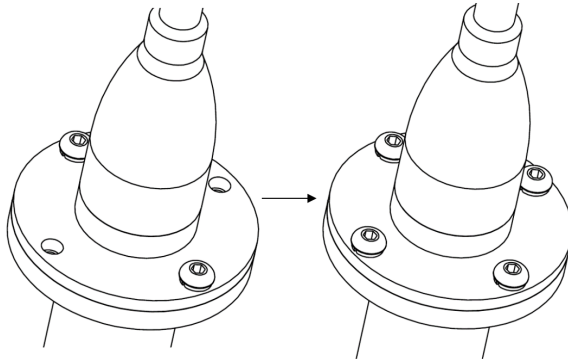
2. Reconnect the connector, ensuring correct alignment. Please pull back slightly to make sure it is not pulled out and fully fixed.



3. Assemble the screws and spring washers. Ensure screws and washers are undamaged before installing.



- Put the screws and spring washers into the screw holes of the flange and pre-tighten 4 turns. Alternately tighten each diagonally opposite pair of screws to a torque of 1.8 Nm. Ensure screws and washers are clean before installing. The screws and washers cannot be used if they are damaged.



3.4 Verification

Please verify sensor operation after reassembly.

4. CONTACT DETAILS

4.1 Druck China Office

Location: 1, Hua Tuo Rd., Zhangjiang Hi Tech Park, Shanghai, 201203

Tel: +86 021 3858 2100, + 86 800 915 9966

Website: www.druck.com/cn

WeChat: BHDS_Druck

4.2 Services and Support Locations

Changzhou China

Tel: +86 400 818 1099

E-mail: service.mcchina@bakerhughes.com

Office Locations

Headquarters

Leicester, UK

☎ +44 (0) 116 2317233
✉ gb.sensing.sales@bakerhughes.com

China

Guangzhou

☎ +86 173 1081 7703
✉ dehou.zhang@bakerhughes.com

Germany

Frankfurt

☎ +49 (0) 69-22222-973
✉ sensing.de.cc@bakerhughes.com

Japan

Tokyo

☎ +81 3 6890 4538
✉ gesitj@bakerhughes.com

UAE

Abu Dhabi

☎ +971 528007351
✉ suhel.aboobacker@bakerhughes.com

Australia

North Sydney

☎ 1300 171 502
✉ custcare.au@bakerhughes.com

China

Shanghai

☎ +86 135 6492 6586
✉ hensen.zhang@bakerhughes.com

India

Bangalore

☎ +91 9986024426
✉ aneesh.madhav@bakerhughes.com

Netherlands

Hoewelaken

☎ +31 334678950
✉ nl.sensing.sales@bakerhughes.com

USA

Boston

☎ 1-800-833-9438
✉ custcareboston@bakerhughes.com

China

Beijing

☎ +86 180 1929 3751
✉ fan.kai@bakerhughes.com

France

Toulouse

☎ +33 562 888 250
✉ sensing.FR.cc@bakerhughes.com

Italy

Milan

☎ +39 02 36 04 28 42
✉ csd.italia@bakerhughes.com

Russia

Moscow

☎ +7 915 3161487
✉ aleksey.khamov@bakerhughes.com

Services and Support Locations

Tech Support

Global

✉ drucktechsupport@bakerhughes.com

France

Toulouse

☎ +33 562 888 250
✉ sensing.FR.cc@bakerhughes.com

UAE

Abu Dhabi

☎ +971 2 4079381
✉ gulfservices@bakerhughes.com

Brazil

Campinas

☎ +55 19 2104 6924, +55 19 97169 1190
✉ cc.sensing.brasil@bakerhughes.com

India

Pune

☎ +91-2135-620421~425
✉ mcindia.inhouseservice@bakerhughes.com

UK

Leicester

☎ +44 (0) 116 2317107
✉ sensing.grobycc@bakerhughes.com

China

Changzhou

☎ +86 400 818 1099
✉ service.mcchina@bakerhughes.com

Japan

Tokyo

☎ +81 3 6894 1838
✉ service.druck.jp@bakerhughes.com

USA

Billerica

☎ +1 (281) 542-3650
✉ namservice@bakerhughes.com