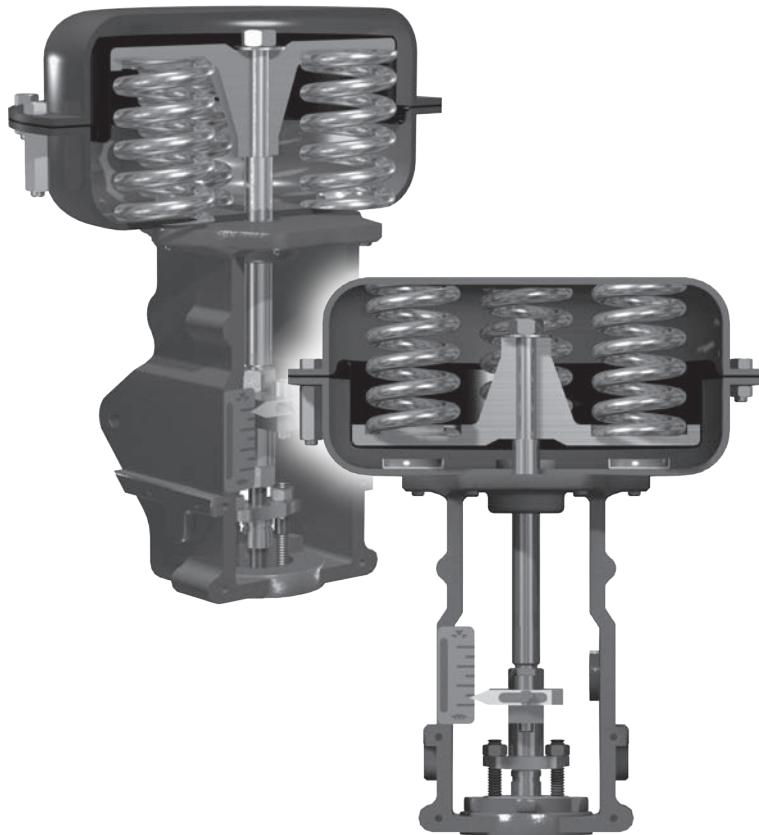


## 87/88 Series Spring Diaphragm Actuators

Instruction Manual (Rev.F)



**THESE INSTRUCTIONS PROVIDE THE CUSTOMER/OPERATOR WITH IMPORTANT PROJECT-SPECIFIC REFERENCE INFORMATION IN ADDITION TO THE CUSTOMER/OPERATOR'S NORMAL OPERATION AND MAINTENANCE PROCEDURES. SINCE OPERATION AND MAINTENANCE PHILOSOPHIES VARY, BAKER HUGHES COMPANY (AND ITS SUBSIDIARIES AND AFFILIATES) DOES NOT ATTEMPT TO DICTATE SPECIFIC PROCEDURES, BUT TO PROVIDE BASIC LIMITATIONS AND REQUIREMENTS CREATED BY THE TYPE OF EQUIPMENT PROVIDED.**

**THESE INSTRUCTIONS ASSUME THAT OPERATORS ALREADY HAVE A GENERAL UNDERSTANDING OF THE REQUIREMENTS FOR SAFE OPERATION OF MECHANICAL AND ELECTRICAL EQUIPMENT IN POTENTIALLY HAZARDOUS ENVIRONMENTS. THEREFORE, THESE INSTRUCTIONS SHOULD BE INTERPRETED AND APPLIED IN CONJUNCTION WITH THE SAFETY RULES AND REGULATIONS APPLICABLE AT THE SITE AND THE PARTICULAR REQUIREMENTS FOR OPERATION OF OTHER EQUIPMENT AT THE SITE.**

**THESE INSTRUCTIONS DO NOT PURPORT TO COVER ALL DETAILS OR VARIATIONS IN EQUIPMENT NOR TO PROVIDE FOR EVERY POSSIBLE CONTINGENCY TO BE MET IN CONNECTION WITH INSTALLATION, OPERATION OR MAINTENANCE. SHOULD FURTHER INFORMATION BE DESIRED OR SHOULD PARTICULAR PROBLEMS ARISE WHICH ARE NOT COVERED SUFFICIENTLY FOR THE CUSTOMER/OPERATOR'S PURPOSES THE MATTER SHOULD BE REFERRED TO BAKER HUGHES.**

**THE RIGHTS, OBLIGATIONS AND LIABILITIES OF BAKER HUGHES AND THE CUSTOMER/OPERATOR ARE STRICTLY LIMITED TO THOSE EXPRESSLY PROVIDED IN THE CONTRACT RELATING TO THE SUPPLY OF THE EQUIPMENT. NO ADDITIONAL REPRESENTATIONS OR WARRANTIES BY BAKER HUGHES REGARDING THE EQUIPMENT OR ITS USE ARE GIVEN OR IMPLIED BY THE ISSUE OF THESE INSTRUCTIONS.**

**THESE INSTRUCTIONS ARE FURNISHED TO THE CUSTOMER/OPERATOR SOLELY TO ASSIST IN THE INSTALLATION, TESTING, OPERATION, AND/OR MAINTENANCE OF THE EQUIPMENT DESCRIBED. THIS DOCUMENT SHALL NOT BE REPRODUCED IN WHOLE OR IN PART WITHOUT THE WRITTEN APPROVAL OF BAKER HUGHES.**

# Table Of Contents

- 1. Introduction..... 2**
- 2. General Numbering System ..... 2**
- 3. Actuator Description ..... 3**
- 4. Unpacking ..... 3**
- 5. Air Piping..... 3**
- 6. Actuator Removal..... 3**
  - 6.1 Air to close (Model 87) and size 6 (Figure 5), with or without handwheel ..... 3
  - 6.2 Air to open (Model 88) and size 6, with handwheel ..... 3
  - 6.3 Air to open (Model 88) and size 6 (Figure 6) without handwheel ..... 3
  - 6.4 Air to close (Model 87), sizes 10, 16, 23 and 23L with and without handwheel ..... 4
  - 6.5 Air to open (Model 88), size 10, 16, and 23, with or without handwheel ..... 4
  - 6.6 Air to Extend (Model 23L) with or without Handwheel ..... 5
  - 6.7 Air to Retract (Model 23L) with or without Handwheel ..... 5
- 7. Maintenance..... 10**
  - 7.1 Replacing diaphragm air to open actuators (Model 88) with or without handwheel ..... 10
  - 7.2 Replacing diaphragm air to close actuator (Model 87), with handwheel ..... 11
  - 7.3 Replacing diaphragm air to close actuator (Model 87), size 6, 10, 16 and 23 without handwheel ..... 11
  - 7.4 Replace or repack handwheel bearing, size 6 and 10 actuators ..... 11
  - 7.5 Replace or repack handwheel bearing size 16 and 23 actuators ..... 12
  - 7.6 Replace diaphragm seal and stem seal, air to open (Model 88) actuators ..... 12
- 8. Actuator Range..... 13**
  - 8.1 Actuator range change, air to open (Model 88)..... 13
  - 8.2 Actuator range change, air to close (Model 87), size 6,10,16, 23 and 23L..... 13
- 9. Air Action Changes ..... 17**
  - 9.1 Air to open to air to close (Model 88 to Model 87), size 6,10,16 and 23 ..... 17
  - 9.2 Air to close to air to open (Model 87 to Model 88), size 6,10,16 and 23 with handwheel..... 18
  - 9.3 Air to close to air to open (Model 87 to Model 88), size 6,10,16 and 23 without handwheel..... 18

**10. Valve Mounting ..... 19**  
10.1 Air to open (Model 88)..... 19  
10.2 Air to close (Model 87) ..... 19  
10.3 Size 23L (4 inch) .....20

## Safety Information

### Important - Please read before installation

These instructions contain **DANGER**, **WARNING**, and **CAUTION** labels, where necessary, to alert you to safety related or other important information. Read the instructions carefully before installing and maintaining your control valve. **DANGER** and **WARNING** hazards are related to personal injury. **CAUTION** hazards involve equipment or property damage. Operation of damaged **equipment can, under certain operational conditions, result in degraded process system performance that can lead to injury or death. Total compliance with all DANGER, WARNING, and CAUTION notices is required for safe operation.**



This is the safety alert symbol. It alerts you to potential personal injury hazards. Obey all safety messages that follow this symbol to avoid possible injury or death.



Indicates a potentially hazardous situation which, if not avoided, could result in death or serious injury.



Indicates a potentially hazardous situation which, if not avoided, could result in serious injury.



Indicates a potentially hazardous situation which, if not avoided, could result in minor or moderate injury.



When used without the safety alert symbol, indicates a potentially hazardous situation which, if not avoided, could result in property damage.

**Note: Indicates important facts and conditions.**

## About this Manual

- The information in this manual is subject to change without prior notice.
- The information contained in this manual, in whole or part, shall not be transcribed or copied without Baker Hughes's written permission.
- Please report any errors or questions about the information in this manual to your local supplier.
- These instructions are written specifically for the 87-88 Series Actuator, and do not apply for other valves outside of this product line.

## Useful Life Period

The current estimated useful life period for the 87-88 Series Actuator is 25+ years. To maximize the useful life of the product, it is essential to conduct annual inspections, routine maintenance and ensure proper installation to avoid any unintended stresses on the product. The specific operating conditions will also impact the useful life of the product. Consult the factory for guidance on specific applications if required prior to installation.

## Warranty

Items sold by Baker Hughes are warranted to be free from defects in materials and workmanship for a period of one year from the date of shipment provided said items are used according to Baker Hughes recommended usages. Baker Hughes reserves the right to discontinue manufacture of any product or change product materials, design or specifications without notice.

### **Note: Prior to installation:**

- The valve must be installed, put into service and maintained by qualified and competent professionals who have undergone suitable training.
- All surrounding pipe lines must be thoroughly flushed to ensure all entrained debris has been removed from the system.
- Under certain operating conditions, the use of damaged equipment could cause a degradation of the performance of the system which may lead to personal injury or death.
- Changes to specifications, structure, and components used may not lead to the revision of this manual unless such changes affect the function and performance of the product.

# 1. Introduction

The following instructions are designed to assist maintenance personnel in performing most of the maintenance required on the **Masoneilan™** 87/88 Series Spring Diaphragm actuator. Baker Hughes has highly skilled service engineers available for start-up, maintenance and repair of our actuators and component parts. In addition, a regularly scheduled training program is conducted at the Training Center to train customer service and instrumentation personnel in the operation, maintenance and application of our control valves and instruments. Arrangements for these services can be made through your Baker Hughes Representative or Sales Office. When performing maintenance, use only replacement parts. Parts are obtainable through your local Baker Hughes Representative or Sales Office. When ordering parts, always include Model and Serial Number of the unit being repaired.

## 1.1 Product Description

The following instructions are designed to guide the user during the installation and maintenance of the 87/88 Series Spring Diaphragm Actuator.

The 87/88 Series actuator is a modular design that can be utilized on Model 35002 Series **Camflex™**, 36005 Series **V-Max™**, 37002 **Minitork™**, and 39003/39004 High Performance Butterfly Valve Series, along with many other rotary control valves. This manual details the assembly instructions for mounting on similar type rotary valves.

The 87/88 Series is the spring-diaphragm version and the Model 36 is the double-acting piston version.

## 1.2 Serial Plate

This plate is usually fixed on the side of the actuator yoke. It indicates the valve type, model number, serial number, pressure class, pressure shell material, actuator pressure supply, and other necessary information. Many valves also include a QR codes located on serial plates, as shown in Figure 1, which can be scanned to access the valve details through Baker Hughes ValvCentral, including as designed conditions, bill of material, and full service history.

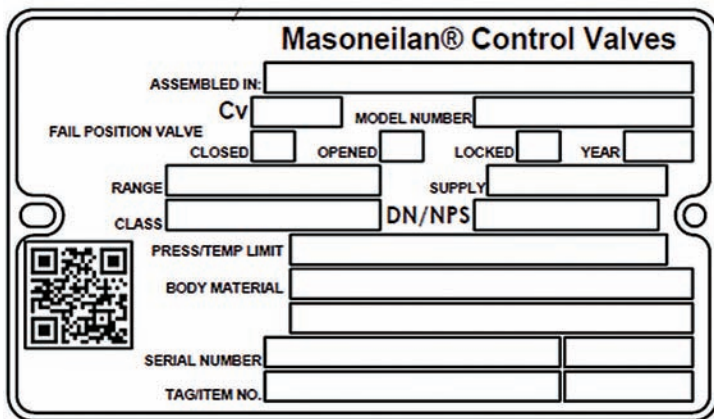


Figure 1 - Serial Plate

## 1.3 After Sales Service

Baker Hughes has a highly skilled After Sales Department available for start-up, maintenance and repair of our equipment. Contact the nearest Baker Hughes local representative or After Sales Department. Valve and Actuator serial plates including QR codes can help to access service history and local service partner for support.

## 1.4 Spare Parts

For maintenance, always use only original spare parts obtained through your local Baker Hughes representative or Spare Parts Department.

When ordering spare parts, the model and serial numbers indicated on the manufacturer's serial plate must be provided to the Baker Hughes representative. Recommended spare parts can also be accessed through QR codes located on valve an actuator serial plates.

## 1.5 Valve and Actuator Accessories

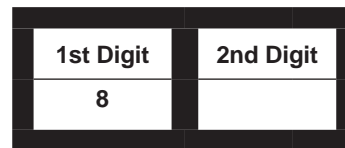
The actuator is installed on a valve. There is a particular instruction manual for each valve model, as well as for all other accessories installed on the actuator assembly. Consult the appropriate valve instruction and operations manual for more details on the particular installation.

**Note:** *This manual describes all standard options of the 87/88 Series spring diaphragm actuator. In order to meet the particular requirements of your application, Baker Hughes may have developed a special option covered by an Appendix to the present manual. If this is the case, the instructions of this Appendix always prevail over the general manual instructions.*

# 2. General

These installation and maintenance instructions apply to the Masoneilan Model 87/88 actuator regardless of the valve body on which it is used. Actuator part numbers and recommended spare parts required for maintenance are listed in the Part Reference Table on page 21 and 23. The model number and action of the actuator are shown as part of the model number listed on the identification tag located on the actuator.

## Numbering System



Actuator Type		
87	Air to Close	(Extend Stem)
88	Air to Open	(Retract Stem)

### 3. Actuator Description

The 87/88 Series is a pneumatic spring diaphragm actuator. The multiple spring design configuration provides four standard spring ranges are achieved by varying spring quantity and placement. A molded rolling diaphragm and deep cases reduce area change, resulting in a linear relationship between travel and air pressure.

## CAUTION

For full automatic operation, the handwheel must be placed in the neutral position. Travel will be limited if the handwheel is not in the neutral position.

### 4. Unpacking

Care must be exercised when unpacking the equipment to prevent damage to the accessories and component parts. Should any problems arise, contact your Baker Hughes Representative or District Office.

### 5. Air Piping

The Model 87/88 actuator is designed to accept 1/4" NPT air supply connections. Accessories supplied with the actuator are mounted and connected at the factory.

## CAUTION

Do not exceed pressure indicated on identification tag.

### 6. Actuator Removal

Maintenance on the valve body normally requires removal of the valve actuator. The steps in removal of the actuator are different depending on whether the actuator is air to close or air to open.

**Note: Actuator action may be checked by referring to the valve identification tag. Model 87 indicates unit is air to close and Model 88 indicates unit is air to open.**

#### 6.1 Air to close (Model 87) size 6 (Figure 5), with or without handwheel

- Shut off air supply to actuator and rotate handwheel to the neutral position. [No force exerted on the stem flange.]
- Disconnect air piping from diaphragm case.
- Check the stem position against the travel scale to ensure that the plug is up (off the seat).

**Note: No air pressure is required to the actuator since the spring force acts to open the valve.**

- Loosen stem lock nuts (1).
- Re-tighten lock nuts (1) against each other so they will lock at a point that is not against the stem flange (2).

## CAUTION

At this time provisions must be made to support and lift the actuator off the body using recommended lift supports and procedures.

- Loosen and remove drive nut.

## CAUTION

Depending on stem length, it may be required to raise the actuator off the body slightly to enable the plug stem to disengage from the actuator stem. The actuator must be raised straight off the body to prevent side loading on the plug stem.

- Turn the stem lock nut (1), counterclockwise and loosen the plug stem until it disengages from the actuator stem (10).

**Note: Do not allow the valve plug to drop or turn against the seat ring, as this could damage the seat and plug.**

- Remove actuator from the valve body.

## CAUTION

Care should be taken in handling the actuator to prevent damage to gauges, tubing, and component parts.

#### 6.2 Air to open (Model 88) size 6, with handwheel

## CAUTION

The stem flange (2) on these size are not fixed to the actuator stem and are loose parts with the plug stem removed. For safety, the handwheel must be in a free position and the actuator removed from the valve using procedure 6.3 Air to Open without handwheel.

#### 6.3 Air to open (Model 88) size 6 (Figure 6) without handwheel

Since removal of the valve plug stem from the actuator stem connector requires that the valve plug be off the seat, special provisions are necessary to assure that the valve is in the opened position. Proceed as follows for an actuator without a handwheel.

**Note: Since air supply piping connected to the actuator is normally rigid, it is required that a manual loading panel with suitable flex tubing be used or some suitable type of flex connections be made between the supply piping and the actuator connection to accommodate movement of the actuator.**

## CAUTION

High stress placed on rigid piping could cause breaking of the air supply line. A flex connector is required.

- Shut off air supply to the actuator.
- Disconnect air supply piping to the actuator.
- Connect manual loading panel tubing to the lower diaphragm case or yoke (size 3) tubing connector.
- Apply required air pressure through the manual loading panel to open the valve as is indicated by the stem position relative to the travel scale (9).



## CAUTION

Do not exceed pressure indicated on the tag (63) on the diaphragm case.

- E. Loosen stem lock nuts (1).
- F. Re-tighten stem lock nuts (1) against each other so they will lock at a point that is not against the actuator stem flange (2).

## CAUTION

At this time provisions must be made to support and lift the actuator off the body using recommended lift supports and procedures.

- G. Loosen and remove drive nut.

## CAUTION

Depending on stem length, it may be required to raise the actuator off the body slightly to enable the plug stem to disengage from the actuator stem. The actuator must be raised straight off the body to prevent side loading on the plug stem.

- H. Turn the upper stem lock nut (1) counterclockwise and unscrew the valve plug stem until disengaged from the actuator stem (10).

**Note: Do not allow the plug to drop or turn against the seat ring, as this could damage the seat and plug.**

- I. Remove actuator from the valve body and shut off air supply pressure.

## CAUTION

Care should be taken in handling the actuator to prevent damage to gauges, tubing, and component parts. In addition, since a flex connection is made between the actuator and air piping, care must be taken not to exert pressure on the flex tubing or air piping.

### 6.4 Air to close (Model 87), sizes 10, 16, 23 and 23L with and without handwheel

(Figure 6)

- A. Shut off air supply to actuator and rotate handwheel to the neutral position.
- B. Disconnect air piping from diaphragm case.
- C. Check the travel indicator (7) against the travel scale (9) to ensure that the plug is up (off the seat).

**Note: No air pressure is required to the actuator since the spring pressure tends to open the valve.**

- D. Loosen stem lock nut (1).
- E. Remove cap screws (5) from stem connector (2, 4).

**Note: Do not allow the valve plug to drop or turn against the seat ring, as this could damage the seat and plug.**

## CAUTION

At this time provisions must be made to support and lift the actuator off the body using recommended lift supports and procedures.

- F. Loosen and remove drive nut.

## CAUTION

Progressively raise actuator off the body to enable the top stem connector (4) to disengage the bottom stem connector (2). The actuator must be raised straight off the body to prevent stress on the plug stem.

- G. Remove bottom stem connector parts (1, 2, 6) from plug stem.
- H. Remove actuator from the valve.

### 6.5 Air to open (Model 88), size 10, 16, and 23, with or without handwheel

(Figure 8)

Since removal of the valve plug stem from the actuator stem connector requires that the valve plug be off the seat, special provisions are necessary to assure that the valve is in the opened position. Proceed as follows:

**Note: Since air supply piping connected to the actuator is normally rigid and the actuator will be moved, it is required that a manual loading panel with suitable flex tubing be used or some suitable type of flex connections be made between the supply piping and the actuator connection.**

## CAUTION

Unreasonably high stress placed on rigid piping could cause breaking of the air supply line. A flex connector is required.

- A. Shut off air supply to the actuator and rotate hand-wheel to the neutral position.
- B. Disconnect air supply piping to the actuator.
- C. Connect manual loading panel tubing to the lower diaphragm case tubing connector.
- D. Apply required air pressure through the manual loading panel to open the valve as is indicated by the travel indicator (7) and travel scale (9).

## CAUTION

Do not exceed pressure indicated on the tag (63) on the diaphragm case.

- E. Loosen stem lock nuts (1).
- F. Remove cap screws (5) from stem connector (2, 4).

**Note: Do not allow the valve plug to drop or turn against the seat ring, as this could damage the seat and plug.**



## CAUTION

At this time provisions must be made to support and lift the actuator off the body using recommended lift supports and procedures.

- G. Loosen and remove drive nut.

## CAUTION

Progressively raise actuator off the body to enable the top stem connector (4) to disengage the bottom stem connector (2). The actuator must be raised straight off the body to prevent stress on the plug stem.

Spring under Load. Before removing the Actuator, ensure that the valve plug is off the seat by pressurizing the diaphragm case. It is now safe to disconnect the valve stem and clamp nut.

- H. Remove bottom stem connector parts (1, 2, 6) from plug stem.  
I. Remove actuator from the valve and shut off air supply pressure.

## 6.6 Air to Extend (Model 23L) with or without Handwheel

1. The handwheel, if equipped, must be in the AUTO position, and the air supply to actuator must be shut-off.
2. Disconnect air piping from the Top Plate. .
3. Check the valve position relative to the Indicator Plate (26) to ensure that the valve stem is retracted.

**Note: No air pressure is required to the actuator since the spring force acts to open the valve.**

4. Loosen and remove the four Hexagon Bolts (24) and Split Clamp (22).

## ⚠ WARNING

No air pressure is required to the actuator since the spring force acts to open the valve.

5. Remove the Indicator Arm (23) and the Split Clamp (22).

**Note: Do not allow the valve plug to drop into the seat ring, since this can damage both parts.**

6. Loosen and remove the valve mounting hardware and remove the actuator from the valve body.

## CAUTION

Take care in handling the actuator to prevent damage to gauges, tubing, and component parts.

## 6.7 Air to Retract (Model 23L) with or without Handwheel

Since removal of the valve plug stem from the split clamp requires that the valve plug be off the seat, special provisions are necessary to assure that the valve is in the opened position. Proceed as follows for an actuator without a handwheel.

## ⚠ WARNING

During assembly or maintenance, and under operation in some conditions, the operators or technicians must be alert and aware of all possible pinch points or areas where there are moving or sliding components.

**Note: Since air supply piping connected to the actuator is normally rigid, it is recommended that a controlled pressure source with suitable flex tubing be used or flex connections be made between the supply piping and the actuator connection to accommodate movement of the actuator.**

## CAUTION

High stress placed on rigid piping can cause breaking of the air supply line. A flex connector is

1. The handwheel must be in the AUTO position, and the air supply to the actuator must be shutdown
2. Disconnect air supply piping to the actuator.
3. Connect a controlled pressure source to the Yoke (1) air supply connector
4. Apply required air pressure to open the valve as is indicated by the stem position relative to the Indicator Plate (26).

## CAUTION

High stress placed on rigid piping can cause breaking of the air supply line. A flex connector is

## ⚠ WARNING

Make provisions to support and lift the actuator off the body using recommended lift supports and procedures.

5. Loosen and remove Hexagon Bolts (24) and Split Clamp (22).
6. Remove the Indicator Arm (23) and the Split Clamp (22).

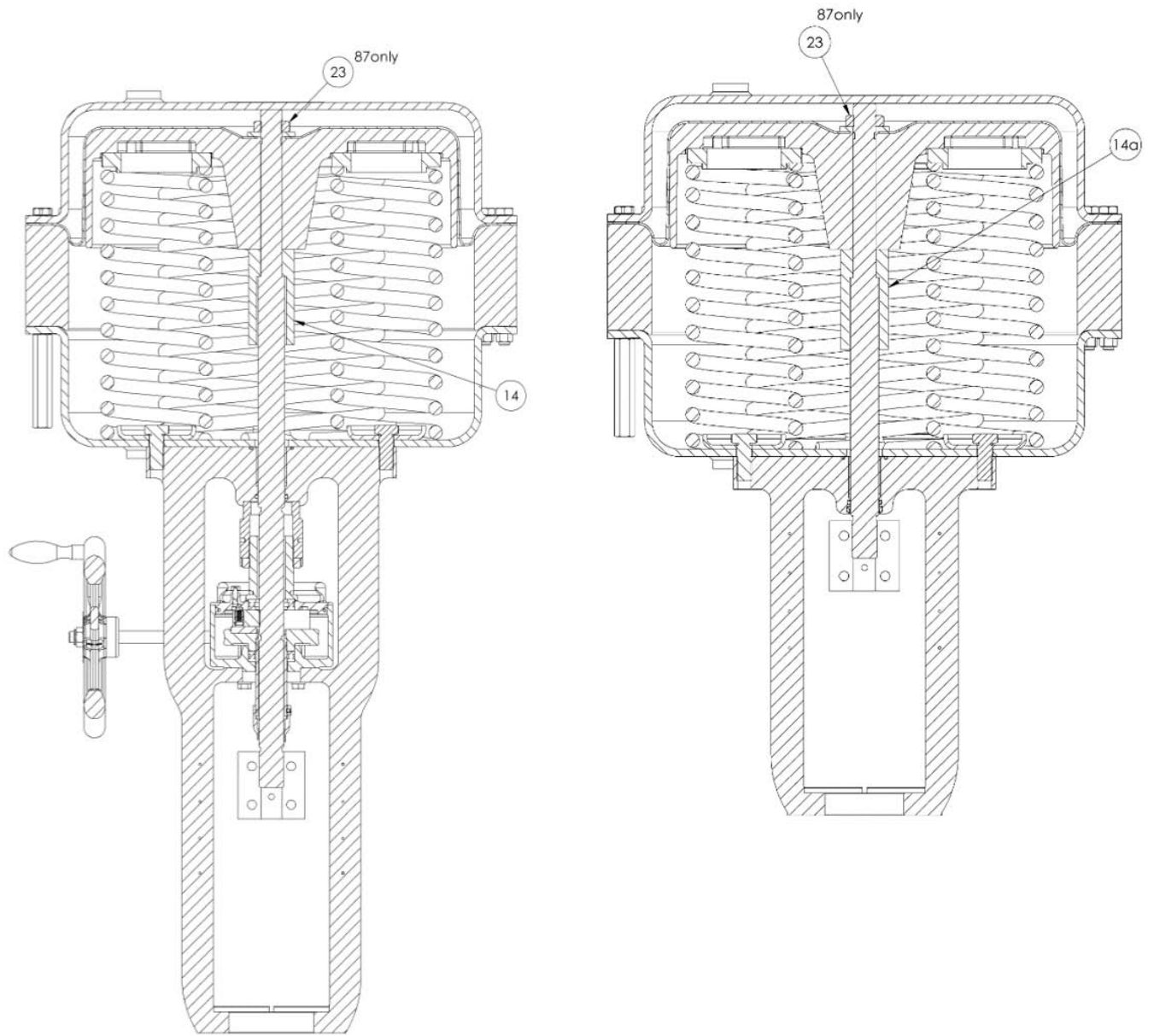
**Note: Do not allow the plug to drop into the seat ring, since this can damage both parts.**

7. Loosen and remove the valve mounting hardware and remove the actuator from the valve body.

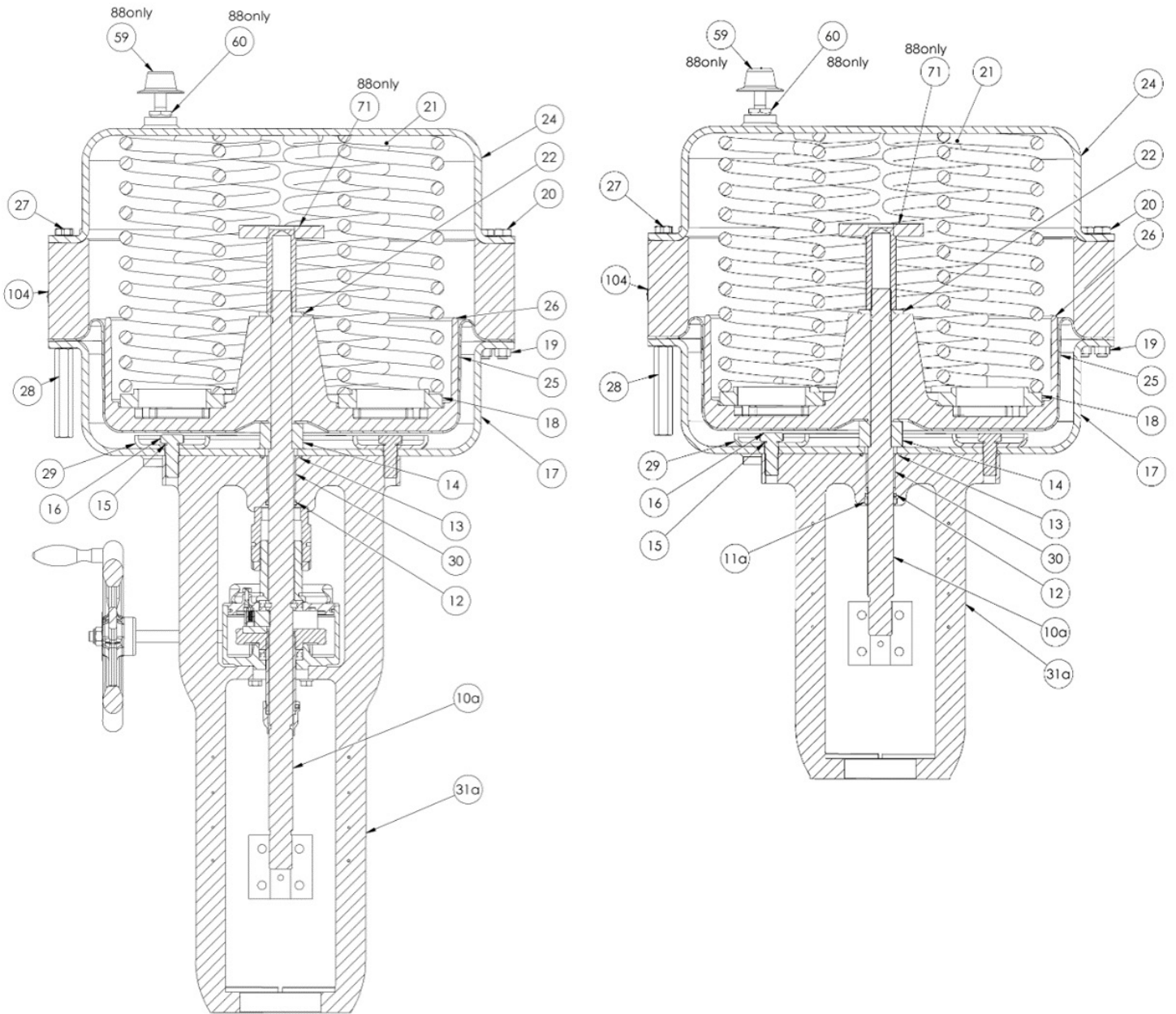
## CAUTION

Take care in handling the actuator to prevent damage to gauges, tubing, and component parts. In addition, since a flex connection may be made between the actuator and air piping, do not exert pressure on the flex tubing or air piping.

8. Release the air pressure from actuator.



**Figure 2 - Model 87 size 23L Air to Extend With and Without Handwheel**



**Figure 3 - Model 88 size 23L Air to Retract With and Without Handwheel**

Item No.	Part Name
1	Lock Nut
2	Stem Connector-Bottom
3	Cap Screw-Pointer
4	Stem Connector-Top
5	Cap Screw-Connector
6	Connector Insert
7	Pointer
8	Screw-Pan Head
9	Scale-Travel
10	Actuator Stem
10a	Actuator Stem
11	Stem Wiper
11a	Rod Scraper
12	O-ring
13	O-ring
14	Spacer
15	Seal Washer
16	Cap Screw-Yoke
17	Lower Diaphragm Case S/A
17	Lower Diaphragm Case S/A
18	Spring Spacer
19	Hex Nut
19a	Eye Nut-Lifting Lug
20	Cap Screw-Hex Head
20a	Cap Screw-Hex Head for HW
21	Spring
22	Washer-Flat
23	Nut-Jam
24	Upper Diaphragm Case-S/A
24	Upper Diaphragm Case-S/A
25	Diaphragm
26	Diaphragm Plate-Machining
27	Cap Screw-Comp
28	Compression Nut
29	Spring Guide
30	Bushing
31	Yoke-Machining
31a	Yoke-Machining
32	Lock Nut
33	Pivot Pin
34	Thrust Bearing
35	Retaining Ring
36	HW Pivot
37	Bearing Ring
38	Retaining Ring
39	HW Stem
40	Traveling Nut
41	HW-Machning

Item No.	Part Name
42	Washer-Flat
43	HW Limitation Nut
44	HW Lever-Assy
45	Lever Pin
46	Retaining Ring-Lever Pin
57	HW Cover
59	Vent Plug
60	Pipe Fitting
61	Origination Tag
62	Drive Stud
63	Information Seal
67	Warning Seal
68	Warning Seal - Arrow
69	Warning Seal
71	Travel Stop
80	Upper Diaphragm Case-Welding
81	Stem Extension
82	Lock Nut
83	Limit Stop
84	Bushing
85	Oring
86	Stopper
87	Stopper
88	Plate-Rotation Arrow
90	Pivot Pin-HW Lock
91	Handwheel Lock Pin
92	Information Plate-HW
93	Cap Screw-Hex Head
94	Washer-Flat
96	End Flange
97	Cap Screw-HW Stem
104	Spacer-Diaphragm Case
105	Cross recessed head screw
106	Indicator plate
107	Indicator arm
108	Spring lock washer
109	Split clamp
110	Hexagon bolt
120	HANDWHEEL S/A
121	Warning Seal - Split Clamp

### Stainless Steel Option

Item No.	Part Name
1	Lock Nut
2	Stem Connector-Bottom
3	Cap Screw-Pointer
4	Stem Connector-Top
5	Cap Screw-Connector
6	Connector Insert
8	Screw-Pan Head
10	Actuator Stem
16	Cap Screw-Yoke
19	Hex Nut
19a	Eye Nut-Lifting Lug
20	Cap Screw-Hex Head
20a	Cap Screw-Hex Head FOR HW
22	Washer-Flat
23	Nut-Jam
27	Cap Screw-Comp
28	Compression Nut
40	Traveling Nut
42	Washer-Flat
43	HW Limitation Nut
81	Stem Extension
82	Lock Nut
86	Stopper
93	Cap Screw-Hex Head
94	Washer-Flat
97	Cap Screw-HW Stem
108	Spring lock washer
109	Split clamp
110	Hexagon bolt

### Stainless Steel option for coastal/marine environment for size 23L

Item No.	Part Name
16	Cap Screw-Yoke
19	Hex Nut
19a	Eye Nut-Lifting Lug
20	Cap Screw-Hex Head
22	Washer-Flat
23	Nut-Jam
27	Cap Screw-Comp
28	Compression Nut
108	Spring lock washer
109	Split clamp
10a	Actuator Stem
110	Hexagon bolt

### High and Low Temperature Service (-40 degree C)

Item No.	Part Name
11a	Rod Scraper
12	O-ring
13	O-ring
25	Diaphragm
31	Yoke-Machining
31a	Yoke-Machining
85	O-ring

### High and Low Temperature Service (-50 degree C)

Item No.	Part Name
5	Cap Screw-Connector
11a	Rod Scraper
12	O-ring
13	O-ring
25	Diaphragm
31	Yoke-Machining
31a	Yoke-Machining
85	O-ring

### Steel Yoke and Aluminum Handwheel

Item No.	Part Name
31	Yoke-Machining
31a	Yoke-Machining
41	HW-Machining



## 7. Maintenance

### CAUTION

It is recommended that the actuators are placed in an upright position for all disassembly or assembly

### CAUTION

Do not use the silicone grease for the silicone rubber of high and low temperature option.

Use fluorine grease of NIPPON KOYU LTD. "LOGENEST LAMBDA" [or equal] as substitute for Dow Corning "Valve Lubricant and Sealant Compound III" [or equal].



Standard "NBR [Black]" used in applications with temperature range between -30 °C (-22 Deg F) through 83 °C (181 °F)



High and low temperature option "Silicone Rubber [Orange]" used in applications with temperature range between -50 °C (-58 °F) through 100 °C (212 °F)

### 7.1 Replacing diaphragm air to open actuators (Model 88) with or without handwheel

(Figure 7, 8, 9 and 10)

- Shut off air supply to the actuator, isolate the control valve process pressure to eliminate the valve from moving with spring tension removed.
- If valve is equipped with a handwheel, rotate handwheel to a neutral position.
- Remove diaphragm case cap screws and nuts (20 and 19). Tension bolts (27 and 28) must be removed last.

**Note:** Size 3 actuator – remove four diaphragm case cap screws and nuts (27 and 28) leaving the other four tension bolts equally spaced around the case.

### CAUTION

Diaphragm case is under spring tension and is equipped with tension bolts which must be removed last.

- Remove tension bolts (27 and 28) in multiple steps to relieve spring tension gradually. Remove upper diaphragm case (24).
- Note position of springs (21) and spring spacers (18)[if equipped] in the diaphragm plate (26), before you remove these parts.
- Remove hex nut (23) [size 3] or jam nut (23) [all other sizes]. Also remove spacer (22) [size 3] and diaphragm washer (22) [all sizes].
- Remove diaphragm plate (26) and diaphragm (25).

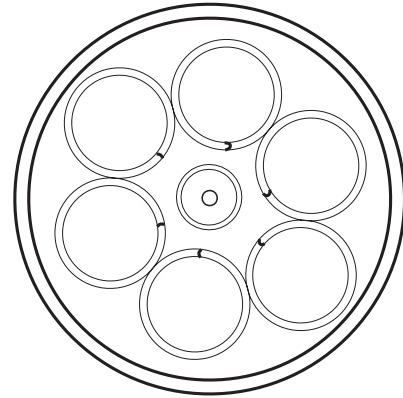


Figure 4 - Spring coil ends pointed towards actuator stem

- Replace the new diaphragm (25) on the diaphragm plate (26).
- Size 3 actuator, coat the threads of hex nut (23) and the surfaces of spacer (22) with Chesterton 725 nickel compound or equivalent. All other sizes, coat the actuator stem threads (10) and the surfaces of washer (22) with Dow Corning Sealant Compound III or equal.
- Check placement of spacer (14 and 22), reassemble diaphragm (25), diaphragm plate (26), and washer (22) then tighten fastener (23) in proper locations.
- Position springs (21) and spring spacers (18) [if used] in the diaphragm plate.

**Note:** Arrange springs so that the coil ends are pointed toward the actuator stem as shown in Figure 4. This step assures best actuator performance.

- Replace upper diaphragm case (24) and tension bolts.
- Tighten the tension bolts in equal steps until the cases meet. Replace the remaining cap screws and nuts.

### CAUTION

Tighten cap screws and nuts evenly. Do not over tighten as this could possibly warp the diaphragm cases. See Table 3 for torque values.

- If so equipped, rotate handwheel to the desired position.



## 7.2 Replacing diaphragm air to close actuator (Model 87), with handwheel

(Figures 9 and 10)

### CAUTION

The handwheel assembly can hold spring tension in the actuator when the diaphragm case is removed. To prevent possible injury, remove handwheel per the following procedure.

- A. Shut off air supply to the actuator, isolate the control process pressure to eliminate the valve plug from moving with spring tension removed.
- B. Rotate the handwheel (41) to a neutral position.
- C. For size 3 actuator, remove one of the two retaining rings (46) which are mounted on lever pin (45).

### CAUTION

Removing the lever pin (45) will disconnect the handwheel assembly from the actuator. Support the handwheel assembly to avoid possible injury.

For all other sizes, remove two cap screw (93) and washer (94), and remove two handwheel pivot pins (33) which are mounted through the yoke and secure the handwheel pivot (36) in place, (see Figure 10).

- D. For size 3 actuator, remove lever pin (45) and secure the handwheel holder (40) in place (see Figures 11 and 12).  
For all other sizes, let the complete handwheel assembly swing down and out of the way of the top stem connector (4) [stem flange (2) on size 6 actuator].
- E. Proceed with the instructions for air to close actuators without handwheel (7.3).

## 7.3 Replacing diaphragm air to close actuator (Model 87), size 6, 10, 16 and 23 without handwheel

(Figures 5 and 6)

- A. Shut off air supply to the actuator and remove air piping from the upper diaphragm case (24).
- B. Remove the two socket head cap screws (5) which hold the top and bottom stem connector (2 and 4) together.

**Note: The size 6 actuator only has a stem flange. For diaphragm replacement, the stem lock nuts (1) must be loosened. The plug stem is turned out at the actuator stem (10) in order to allow the actuator stem to rise with release of spring tension. Depending on stem length, it may be required to separate the size 6 actuator off the valve body, as indicated in Section 6.1.**

- C. Remove diaphragm case cap screws and nuts (20 and 19).

### CAUTION

Diaphragm case is under spring tension and is equipped with tension bolts (27 and 28) which must be removed last.

- D. Remove tension bolts (27 and 28) in multiple steps to relieve spring tension gradually. Remove upper diaphragm case (24).
- E. Remove jam nut (23) and diaphragm washer (22).
- F. Replace new diaphragm (25) on the diaphragm plate (26).
- G. Coat the actuator stem threads (10) and the surfaces of washer (22) with Dow Corning Sealant Compound III or its equivalent. Install washer (22) and tighten fastener (23).
- H. Replace upper diaphragm case (24) and tension bolts (27 and 28).

**Note: Tension bolts should be spaced equally around the bolt circle of the case.**

- I. Tighten the tension bolts (27 and 28) in equal steps until the cases meet. Replace the remaining cap screws (20) and nuts (19).

### CAUTION

Tighten cap screws and nuts evenly. Do not over tighten as this could possibly warp the diaphragm cases. See Table 3 for torque values.

- J. Position top and bottom stem connectors (2 and 4) and replace the two socket head cap screws (5) and recalibrate the seated position of the valve, (Section 10.2).

**Note: Size 6 actuator - Screw the plug stem back into the actuator stem (10) thru the stem flange and recalibrate the seated position of the valve. If the actuator has been removed from the valve body, re-install it as indicated in Section 10.2.**

**Note: If the actuator has a handwheel (Section 7.2), continue with the following steps:**

- K. Swing handwheel assembly back up into place.
- L. Install the two pivot pins (33) in the yoke and engage them into the handwheel pivot (36). And install the two washer (94) and cap screw (93) through the handwheel cover (57).

## 7.4 Replace or repack handwheel bearing, size 6 and 10 actuators

(Figure 9)

- A. Rotate handwheel to a free position.
- B. Remove handwheel cap screw (20) and washer (42).
- C. Remove handwheel (41) and lock nut (43).
- D. Remove lock pin (91), cap screw (93), and washer (94) to release handwheel cover (57). Remove cover.
- E. Remove pivot pins (33) from the yoke which hold the handwheel pivot (36).

- F. Remove snap rings (46) and remove lever pin (45) to release handwheel assembly.
- G. Turn handwheel stem (39) until it clears traveling nut (40).
- H. Remove snap ring (38) and bearing ring (37) to release the handwheel stem (39) from the bearing.
- I. Remove snap ring (35) to release bearing (34).
- J. Replace or clean to repack bearing (34) with new grease.
- K. Bearing should be packed with Mobilux No. 2 grease or equal.  
**Note: It is important that bearing is packed with grease, and not just coated.**
- L. To reassemble, reverse removal procedures from step (I) through (B).

## 7.5 Replace or repack handwheel bearing size 16 and 23 actuators

(Figure 10)

- A. Rotate handwheel to a free position.
- B. Remove lock pin (91), cap screw (93), and washer (94) to release handwheel cover (57).
- C. Remove pivot pins (33) which engage the handwheel pivot (36) thru the yoke.
- D. Remove snap rings (46) and remove lever pin (45) to release complete handwheel assembly.
- E. Remove cap screw (97) and end flange (96) to release the handwheel stem (39) from the bearing.
- F. Remove snap ring (35) to release bearing (34).
- G. Replace or clean to repack the bearing with new grease.
- H. Pack bearing (34) with Mobilux No. 2 grease or equal.  
**Note: It is important that bearing is packed with grease, and not just coated.**
- I. For remounting, reverse removal procedures from step (F) through (B).

## 7.6 Replace diaphragm seal and stem seal, air to open (Model 88) actuators

(Figure 7 and 8)

- A. Shut off air supply to the actuator, isolate the control valve process pressure to eliminate the valve from moving with spring tension removed.
- B. If valve is equipped with a handwheel, rotate handwheel to a free position.
- C. Remove diaphragm case cap screws and nuts (20 and 19).

### CAUTION

Diaphragm case is under spring tension and is equipped with tension bolts (27 and 28) which must be removed last.

- D. Remove tension bolts (27 and 28) in multiple steps to relieve spring tension gradually. Remove upper diaphragm case (24).
- E. Note position of springs (21) and spring spacers (18) [if equipped] in the diaphragm plate (26).

- F. Remove springs (21) and spring spacers (18) if used.

### On size 6 actuator:

- G. Loosen lock nuts (1). Re-tighten lock nuts against each other so they will lock at a point that is not against the stem flange (2). By means of a wrench, hold the lock nuts (1) and plug stem. Turn the actuator stem (10) subassembly until it disengages from the plug stem and remove completely from actuator.

### On size 10,16 and 23 actuators:

- G. Loosen lock nut (32) on actuator stem (10). Hold the connector device (2, 4, 6). Turn the actuator stem(10) sub-assembly and remove it when it clears the connector insert (6), (on size 10), or the top stem connector (4), (on sizes 16 & 23).

### On size 6,10,16 and 23

- H. Remove case cap screws (16) to gain access to seal washers (15).

**Note: If seal washers (15) replacement is the only maintenance, proceed to Step M.**

- I. Remove lower diaphragm case (17).

**Note: Mark orientation of the case to the yoke.**

- J. Replace stem wiper (11) and O-rings (12 and 13).
- K. Coat O-rings (12 and 13) and inside of yoke O-ring groove (31) with Dow Corning Compound III (or equivalent).
- L. Place the diaphragm case (17) on the yoke.
- M. Coat the surface of the spring guides (29) in contact with the diaphragm case with Dow Corning Sealant Compound III or equivalent. Assemble spring guides (29), new seal washers (15), and cap screws (16) in this order.
- N. Re-install the actuator stem (10) sub-assembly into the yoke bushing. Turn actuator stem into insert (6), (size 10), or into the top stem connector (4), (size 16 & 23). In case of size 6 actuator, turn actuator stem on the plug stem after installing the stem connector(2). Turn until stem spacer (14) contacts the lower diaphragm case (17).
- O. Tighten lock nut (32) against connector insert (6), (size 10), or against the top stem connector (4), (on sizes 16 & 23). In case of size 6 actuator, lock the stem flange (2) and the two lock nuts (1) against the lower part of actuator stem.
- P. Position springs (21) and spring spacers (18) [if used] in the diaphragm plate.

**Note: Arrange springs so that the coil ends are pointed toward the actuator stem as shown in Figure 4. This step assures best actuator performance.**

- Q. Replace upper diaphragm case (24) and the tension bolts (27 and 28).

**Note: Tension bolts should be spaced equally around the bolt circle of the case.**

- R. Tighten the tension bolts (27 and 28) in equal steps until the cases meet. Replace the remaining cap screws (20) and nuts (19).

### CAUTION

Tighten cap screws and nuts evenly. Do not over tighten as this could possibly warp the diaphragm cases. See Table 3 for torque values.

- S. If necessary, recalibrate the seated position of the valve (Section 10.1).

## 8. Actuator Range

### CAUTION

Do not use the silicone grease for the silicone rubber of high and low temperature option.

Use fluorine grease of NIPPON KOYU LTD. "LO-GENEST LAMBDA" [or equal] as substitute for Dow Corning "Valve Lubricant and Sealant Compound III" [or equal].



Standard "NBR [Black]" used in applications with temperature range between -30 °C (-22 Deg F) through 83 °C (181 °F)



High and low temperature option "Silicone Rubber [Orange]" used in applications with temperature range between -50 °C (-58 °F) through 100 °C (212 °F)

### 8.1 Actuator range change, air to open (Model 88).

- Shut off air supply to the actuator, isolate the control valve process pressure to eliminate the valve from moving with spring tension removed.
- If valve is equipped with a handwheel, rotate handwheel to a free position.
- Remove diaphragm case cap screws and nuts (20 and 19). Tension bolts (27 and 28) must be removed last.

**Note: Size 3 actuator – Remove four diaphragm case cap screw and nuts (27 and 28) leaving the other four tension bolts equally spaced around the case.**

### CAUTION

Diaphragm case is under spring tension and is equipped with tension bolts which must be removed last.

- Remove tension bolts (27 and 28) in multiple steps to relieve spring tension gradually. Remove upper diaphragm case (24).
- Position springs (21) [and spring spacers (18) if new range use them] in the diaphragm plate.
- Refer to Tables 1, 2 and 4 for spring information:
  - For 11 and 21 psi (0,759 and 1,448bar) initials, the springs are placed directly on the upper pedestals in the diaphragm plate (26).
  - For 3 and 6 psi (0,207 and 0,414bar) initials, the springs

are placed in the bottom cavity in the diaphragm plate.

Size 3 actuator - For 3 and 6 psi (0,207 and 0,414bar) initials, the springs are installed without spring spacers.

- For 11 and 21 psi (0,759 and 1,448bar) initials and travel ranges larger than 0.8" (20mm), the spring spacers (18) are placed as shown in the cross sectional view, Figure 8.

**Note: Spring spacers (18) are not required for the No.6 actuator.**

**Note: Arrange springs so that the coil ends are pointed toward the actuator stem as shown in Figure 4. This step assures best actuator performance.**

- Replace upper diaphragm case (24) and tension bolts (27, and 28).

**Note: Tension bolts should be spaced equally around the bolt circle of the case.**

- Tighten the tension bolts (27 and 28) in equal steps until the cases meet. Replace the remaining cap screws (20) and nuts (19) [Screw (27) and nuts (28) for size 3].

### CAUTION

Tighten cap screws and nuts evenly. Do not over tighten as this could possibly warp the diaphragm cases. See Table 3 for torque values.

- If so equipped, rotate handwheel to the desired position.

### 8.2 Actuator range change, air to close (Model 87), size 6,10,16, 23 and 23L

**Note: If actuator is equipped with a handwheel, please follow steps 7.2 A, B, C and D to disengage this assembly.**

- Shut off air supply to the actuator and remove air piping from the upper diaphragm case (24).
- Remove the two socket head cap screws (5) which hold the top and bottom stem connector (2 and 4) together.

**Note: The size 6 actuator only has a stem flange (2). For access to springs, the stem lock nuts (1) must be loosened. The plug stem is turned out at the actuator stem (10) to allow the actuator stem to rise with release of spring tension. Depending on stem length, it may be required to separate the size 6 actuator off the valve body, as indicated in Section 6.1.**

- Remove diaphragm case cap screws and nuts (20 and 19).

### CAUTION

Diaphragm case is under spring tension and is equipped with tension bolts (27 and 28) which must be removed last.

- Remove tension bolts (27 and 28) and compression nuts (28) in multiple steps to relieve spring tension gradually. Remove upper diaphragm case (24).
- Remove jam nut (23) and diaphragm washer (22).
- Remove diaphragm plate (26) and diaphragm (25).

- G. Place springs (21) over the spring guides (29).
- H. Refer to Tables 1, 2 and 4 for spring information:
  - a. For 11 and 21 psi (0,759 and 1,448bar) initials, the springs are placed directly on the upper pedestals in the diaphragm plate (26).
  - b. For 3 and 6 psi (0,207 and 0,414bar) initials, the springs are placed in the bottom cavity in the diaphragm plate.
  - c. For 11 and 21 psi (0,759 and 1,448bar) initials and travel ranges larger than 0.8" (20mm), the spring spacers (18) are placed as shown in the cross sectional view, Figure 7.

**Note: Spring spacers (18) are not required for 0.8" (20mm) travel ranges.**

**Note: Arrange springs so that the coil ends are pointed toward the actuator stem as shown in Figure 1. This step assures best actuator performance.**

- I. Replace the diaphragm plate (26) on the actuator stem (10) and over the springs. To ensure the springs are properly located, check the view hole in the diaphragm plate. A spring should be visible.
- J. Install the diaphragm (25).
- K. Coat the actuator stem threads (10) and the surfaces of washer (22) with Dow Corning Sealant Compound III or equivalent.
- L. Replace upper diaphragm case (24) and the tension bolts (27 and 28).

**Note: Tension bolts should be spaced equally around the bolt circle of the case.**

- M. Tighten the tension bolts (27 and 28) in equal steps until the cases meet. Replace the remaining cap screws (20) and nuts (19).

## CAUTION

**Tighten cap screws and nuts evenly. Do not over tighten as this could possibly warp the diaphragm cases. See Table 3 for torque values.**

- N. Position top and bottom stem connectors (2 and 4) and replace the two socket head cap screws (5) and recalibrate the seated position of the valve (Section 10.2).

**Note: Size 6 actuator-Screw the plug stem back into the actuator stem (10) thru the stem flange (2) and recalibrate the seated position of the valve. If the actuator has been removed from the valve body, re-install it as indicated in Section 10.2).**

**Note: If the actuator has a handwheel (Section 7.2), continue with the following steps:**

**Table 1a - size 6, 10, 16, 23 (2.5" and below)**

Actuator Travel in. (mm)	Spring Color
0.8 (20)	Red
1.5 (38)	Blue
2.0 (51)	Green
2.5 (64)	Yellow

**Table 1b - size 23L (4")**

Actuator Travel in. (mm)	Spring Color
4(101.6) 3-15/6-30psi	Purple
4(101.6) 11-23/21-45psi	Orange

**Table 2a - size 6, 10, 16, 23 (2.5" and below)**

Spring Range (psi)	No. of Springs (21) Required	Spring Position Required on Diaphragm Plate	Spring Spacer (18) Required
3-15	3	BOTTOM	NO
6-30	6	BOTTOM	NO
11-23	3	PEDESTAL	YES <sup>1</sup>
21-45	6	PEDESTAL	YES <sup>1</sup>

1. A spring spacer (18) is required on size 10 for 1.5" travel only and on sizes 16 and 23 for 1.5", 2.0" and 2.5" travels only.

Note: Model no. 88 sizes 10, 16 and 23 with 0.8", 1.5"(16 & 23), 2.0"(16 & 23) stroke, travel stop piece number 71 is to be used.

**Table 2b - size 23L (4")**

Spring Range (psi)	No. of Springs (21) Required	Spring Position Required on Diaphragm Plate	Spring Spacer (18) Required
3-15	3	PEDESTAL	NO
6-30	6	PEDESTAL	NO
11-23	3	PEDESTAL	YES
21-45	6	PEDESTAL	YES

**Table 3 – Actuator Assembly Torques**

Ref. No.	Description	6		10		16		23/23L	
		ft-lbs	N-m	ft-lbs	N-m	ft-lbs	N-m	ft-lbs	N-m
1	Hex Nut .500 - 20 UNF	25	34	25	34	25	34	25	34
	Hex Nut .625 - 18 UNF			55	74	55	74	55	74
	Hex Nut .750 - 16 UNF			95	129	95	129	95	129
	Hex Nut 1.00 - 14 UNS					150	203	150	203
5	Connector Cap Screw	35 <sup>1</sup>	47 <sup>1</sup>	35	47	125	169	125	169
16	Yoke Cap Screw	37	50	37	50	59	80	59	80
19,20,27,28	Case Bolting or Tension Bolting	21	28	25	34	30	40	31	42
23	Jam Nut, Hex Nut	37	50	66	90	95	129	150	203
32	Stem Lock Nut			55	74	95	129	150	203
33	Pivot Pin	60	81	60	81	80	108	80	108
20	Handwheel Cap Screw	25	34	25	34	66	90	66	90
97	Handwheel Stem Cap Screw					300	407	300	407

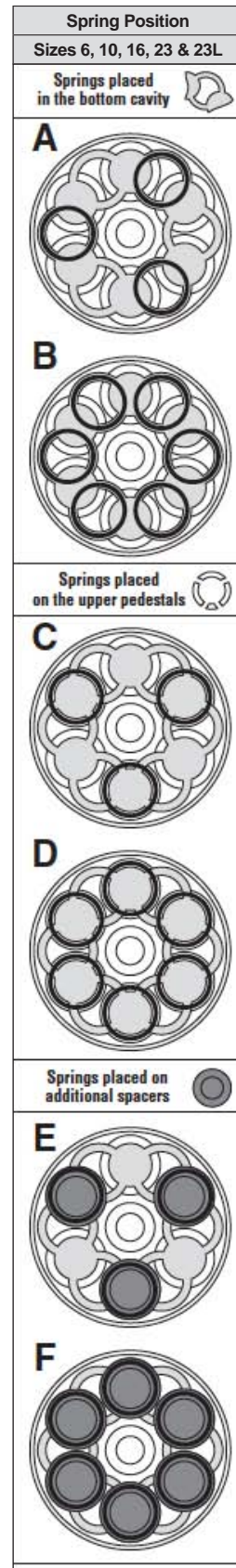
1. Torque shown is for size 6 actuator with Bellows Seal design requiring Stem Connector Option.

Listed values are nominal torques. Tolerance is +/- 10%.



Actuator No.	Travel & Color Code	Range (psi)	Qty.	Springs Position
6	0.8" (20mm) Red	3-15	3	A
		6-30	6	B
		11-23	3	C
		21-45	6	D
10	0.8" (20mm) Red	3-15	3	A
		6-30	6	B
		11-23	3	C
		21-45	6	D
	1.5" (38mm) Blue	3-15	3	A
		6-30	6	B
		11-23	3	E
		21-45	6	F
16	0.8" (20mm) Red	3-15	3	A
		6-30	6	B
		11-23	3	C
		21-45	6	D
	1.5" (38mm) Blue	3-15	3	A
		6-30	6	B
		11-23	3	E
		21-45	6	F
	2.0" (51mm) Green	3-15	3	A
		6-30	6	B
		11-23	3	E
		21-45	6	F
	2.5" (64mm) Yellow	3-15	3	A
		6-30	6	B
		11-23	3	E
		21-45	6	F
23	0.8" (20mm) Red	3-15	3	A
		6-30	6	B
		11-23	3	C
		21-45	6	D
	1.5" (38mm) Blue	3-15	3	A
		6-30	6	B
		11-23	3	E
		21-45	6	F
	2.0" (51mm) Green	3-15	3	A
		6-30	6	B
		11-23	3	E
		21-45	6	F
	2.5" (64mm) Yellow	3-15	3	A
		6-30	6	B
		11-23	3	E
		21-45	6	F
23L	4" (102 mm) Purple	3-15	3	A
		6-30	6	B
	4" (102 mm) Orange	11-23	3	E
		21-45	6	F

**Table 4**  
**Diaphragm plate spring arrangement**





## 9. Air Action Changes

*Note: For the size 23L (4inch), the actuator has no capability for air action change.*

### CAUTION

Do not use the silicone grease for the silicone rubber of high and low temperature option.

Use fluorine grease of NIPPON KOYU LTD. "LOGEN-EST LAMBDA" [or equal] as substitute for Dow Corning "Valve Lubricant and Sealant Compound III" [or equal].



Standard "NBR [Black]" used in applications with temperature range between -30 °C (-22 Deg F) through 83 °C (181 °F)



High and low temperature option "Silicone Rubber [Orange]" used in applications with temperature range between -50 °C (-58 °F) through 100 °C (212 °F)

### 9.1 Air to open to air to close (Model 88 to Model 87), size 6,10,16 and 23

- Shut off air supply to the actuator, isolate the control valve process pressure to eliminate the valve from moving with spring tension removed.
- If valve is equipped with a handwheel, rotate handwheel to a neutral position.
- Remove snap rings (46) and remove lever pin (45) to allow handwheel assembly to swing away from the stem connector (2-4).
- Remove the two socket head cap screws (5) which hold the top and bottom stem connector (2 and 4) together.

**Note: The size 6 actuator only has a stem flange (2). For changing of action, the stem lock nuts (1) must be loosened. The plug stem is turned out at the actuator stem (10) in order to allow the actuator stem to rise with springs installed in Model 87. Depending on stem length, it may be required to separate the size 6 actuator off the valve body, as indicated in Section 6.3.**

- Remove diaphragm case cap screws and nuts (20 and 19) and vent cap (59).

### CAUTION

Diaphragm case is under spring tension and is equipped with tension bolts (27 and 28) which must be removed last.

- Remove tension bolts (27 and 28) in multiple steps to relieve spring tension gradually. Remove upper diaphragm case (24). Remove springs (21) and spacer (18) [if equipped].
- Remove jam nut (23) and diaphragm washer (22) and travel stop (71) [if equipped].
- Remove diaphragm plate (26) and diaphragm (25).
- Place springs (21) over the spring guides (29).
- Refer to Tables 1, 2 and 4 for spring information. Refer also to Section 8.2 H

**Note: Spring spacers (18) are not required for 0.8" (20mm) travel ranges**

**Note: Arrange springs so that the coil ends are pointed toward the actuator as shown in Figure 1. This step assures best actuator performance.**

- Invert and replace the diaphragm plate (26) on the actuator stem (10) and over the springs.  
**Note: To ensure the springs are properly located, check the view hole in the diaphragm plate. A spring should be visible.**
- Install the diaphragm (25).
- Coat the actuator stem threads (10) and the surfaces of washer (22) with Dow Corning Sealant Compound III or equivalent. Then place and tighten the jam nut (23).
- Replace upper diaphragm case (24) and tension bolts (27 and 28).

**Note: Tension bolts should be spaced equally around the bolt circle of the case.**

- Tighten the tension bolts (27 and 28) in equal steps until the cases meet. Replace the remaining cap screws (20) and nuts (19).

### CAUTION

Tighten cap screws and nuts evenly. Do not over tighten as this could possibly warp the diaphragm cases. See Table 3 for torque values.

- Position top and bottom stem connectors (2 and 4) and replace the two socket head cap screws (5) and recalibrate the seated position of the valve (Section 10.2).

**Note Size 6 actuator – Screw the plug stem back into the actuator stem (10) thru the stem flange (2) and recalibrate the seated position of the valve. If the actuator has been removed from the valve body, reinstall it as indicated in Section 10.2.**

**Note: If the actuator has a handwheel, continue with the following steps:**

- Q. Swing handwheel assembly back up into place. The handwheel (41) may have to be turned in order to position the lower pivot pins (33).
- R. With the pivot pins positioned on top of the stem connector (2 and 4), replace the lever pin (45) and snap rings (46).

## 9.2 Air to close to air to open (Model 87 to Model 88), size 6,10,16 and 23 with handwheel

### CAUTION

The handwheel assembly can hold spring tension in the actuator when the diaphragm case is removed. To prevent possible injury, remove handwheel per the following procedure.

- A. Shut off air supply to the actuator, isolate the control valve process pressure to eliminate the valve from moving with spring tension removed.
- B. Rotate the handwheel (41) to a neutral position.
- C. Remove snap rings (46) and lever pins (45).
- D. The complete handwheel assembly can now swing out of the way of the top stem connector (2 and 4) [stem flange (2) on the size 6 actuator].
- E. Proceed with the instructions for actuators without handwheel (9.3 Step B).

## 9.3 Air to close to air to open (Model 87 to Model 88), size 6,10,16 and 23 without handwheel

- A. Shut off air supply to the actuator and remove air piping from the upper diaphragm case (24).
- B. Remove the two socket head cap screws (5) which hold the top and bottom stem connector (2 and 4) together.

**Note: The size 6 actuator only has a stem flange (2). For changing of action, the stem lock nuts (1) must be loosened. The plug stem is disconnected from the actuator stem (10) in order to allow the actuator stem to rise with release of spring tension during disassembly.**

**Depending on stem length, it may be required to separate the size 6 actuator off the valve body, as indicated in Section 6.1.**

- C. Remove diaphragm case cap screws and nuts (20 and 19).

### CAUTION

Diaphragm case is under spring tension and is equipped with tension bolts (27 and 28) which must be removed last.

- D. Remove tension bolts (27 and 28) in multiple steps to relieve spring tension gradually. Remove upper diaphragm case (24).
- E. Remove jam nut (23) and diaphragm washer (22).
- F. Remove the diaphragm (25), diaphragm plate (26), spring (21) and spring spacers (18) [if used].
- G. Invert the diaphragm (25) and diaphragm plate (26).
- H. Coat the actuator stem threads (10) and the surfaces of washer (22) with Dow Corning Sealant Compound III or equivalent.
- I. Checking placement of spacer (14) reassemble diaphragm (25), diaphragm plate (26), washer (22), jam nut (23) or travel stop (71) [see Note] in proper locations.

**Note: The maximum stroke of each actuator size for model 88 uses Jam nut (23).**

**For other stroke, the travel stop (71) is used to replace the Jam nut (23).**

**Note: The model 88 size 10, 20.32mm [0.8"] stroke only uses Jam nut (23) and Travel stop (71).**

Actuator Size	Stroke	Air to open Model 88	Air to close Model 87
6	20.32 mm [0.8"]	Jam nut (23)	Jam nut (23)
10	20.32 mm [0.8"]	Jam nut (23) and Travel stop (71)	
	38.1 mm [1.5"]	Jam nut (23)	
16	20.32 mm [0.8"]	Travel stop (71)	
	38.1 mm [1.5"]		
	50.8 mm [2.0"]		
23	63.5 mm [2.5"]	Jam nut (23)	
	20.32 mm [0.8"]	Travel stop (71)	
	38.1 mm [1.5"]		
	50.8 mm [2.0"]		
	63.5 mm [2.5"]	Jam nut (23)	

- J. Position springs (21) and spring spacers (18) [if used] in the diaphragm plate.
- K. Refer to Tables 1, 2 and 4 for spring information. Refer also to Section 8.1 F.

**Note: Spring spacers (18) are not required for 0.8" (20mm) travel ranges.**

**Note: Arrange springs so that the coil ends are pointed toward the actuator stem as shown in Figure1. This step assures best actuator performance.**

- L. Replace upper diaphragm case (24) and tension bolts (27 and 28).  
**Note: Tension bolts should be spaced equally around the bolt circle of the case.**
- M. Tighten the tension bolts (27 and 28) in equal steps until the cases meet. Replace the remaining cap screws (20) and nuts (19).

## CAUTION

Tighten cap screws and nuts evenly. Do not over tighten as this could possibly warp the diaphragm cases. See Table 3 for torque values.

- N. Position top and bottom stem connectors (2 and 4) and replace the two socket head cap screws (5) and recalibrate the seated position of the valve, (Section 10.1).  
**Note Size 6 actuator – Screw the plug stem back into the actuator stem (10) thru the stem flange (2) and recalibrate the seated position of the valve. If the actuator has been removed from the valve body, re-install it as indicated in Section 10.1).**  
**Note: If the actuator has a handwheel, continue with the following steps.**
- O. Swing the handwheel assembly back into place.
- P. It may require turning the handwheel (41) to position the lower pivot pins (33) under the stem connector (2-4), [stem flange (2) on the size 6 actuator].
- Q. Install the lever pin (45) and snap rings (46).
- R. Add the vent cap (59) to the top of upper diaphragm case.

## 10. Valve Mounting

These installation and plug stem adjustment procedures are for mounting of the 87/88 Actuators on most metal seated reciprocating valves. Refer to the specific valve instructions for other trim types, such as pilot operated valves (41405) and soft seat designs.

## CAUTION

The stem flange (2) on the size 3 and 6 is not fixed to the actuator stem and is a loose part with the stem nuts (1) backed off. For safety reasons, adjustments should only be made pneumatically.

### 10.1 Air to open (Model 88)

- A. Connect manual loading panel tubing to the lower diaphragm case or yoke connection (size 3).
- B. Apply required air pressure through the manual loading panel to completely retract the actuator stem (10).
- C. Install actuator on the valve body with drive nut. Tighten the drive nut.  
**Note: Size 3 and Size 6 actuator – Screw the plug stem into the actuator stem (10) thru the stem flange (2). Depending on stem length, it may be required to progressively lower the actuator forwards the body while screwing the plug stem into the actuator stem.**

- D. On size 10, 16 and 23 actuators:  
Apply initial air pressure and position top stem connector (4). Refer to Figure 11 and 16 for stem connector positioning.  
On size 3 and 6 actuators:  
Apply initial air pressure. Adjust the plug stem to position of stem flange (2) as shown in Figure 11.

## CAUTION

DO NOT TURN the plug against the seat as damage to the parts can occur.

- E. Release air pressure.
- F. Using the stem lock nuts (1), unscrew the plug stem until the plug touches the seat.
- G. Pneumatically or with the handwheel, stroke the actuator to raise the plug off the seat. Unscrew the plug stem one full turn and lock the stem in place with the lock nut(s) (1) against the stem connector or flange (2 or 6).
- H. Line up the travel scale (9) with the pointer and check actuator for proper operation.

### 10.2 Air to close (Model 87)

- A. Install actuator on the valve body with drive nut. Tighten the drive nut.
- B. Position top and bottom stem connectors (2 and 4) and replace the two socket head cap screws (5). Turn the plug stem as far as possible into lower part of the stem connector (2 or 6). Refer to Figure 12 and Figure 13 for stem connector positioning.  
**Note: Size 3 and Size 6 actuator – Screw the plug stem into the actuator stem (10) thru the stem flange (2). Depending on stem length, it may be required to progressively lower the actuator forwards the body while screwing the plug stem into the actuator stem. Refer to Figure 12 for size 6 stem connector positioning.**
- C. Pneumatically or with the handwheel, stroke the actuator to the rated spring range or stroke (if using the handwheel).
- D. Using the stem lock nuts (1) unscrew the plug stem until the plug touches the seat.

## CAUTION

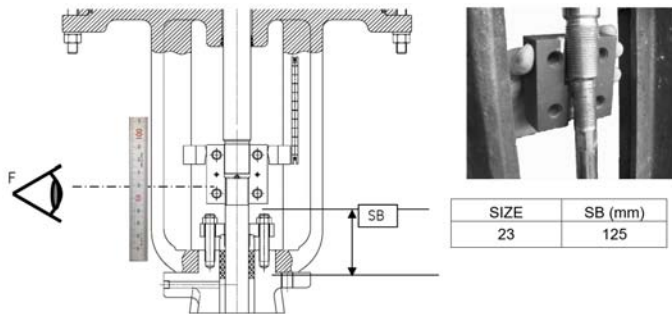
DO NOT TURN the plug against the seat as damage to the parts can occur.

- E. Release the pressure in the actuator or back off the handwheel to raise the stem.
- F. Unscrew the stem 1/2 turn and lock the stem in place by tightening the lock nuts (1) against the stem connector (2 or 6).  
**Note: Size 3 and Size 6 actuator – Lock the plug stem in place by tightening the lock nut (1) against the stem flange (2).**
- H. Line up the travel scale (9) with the pointer and check actuator for proper operation.

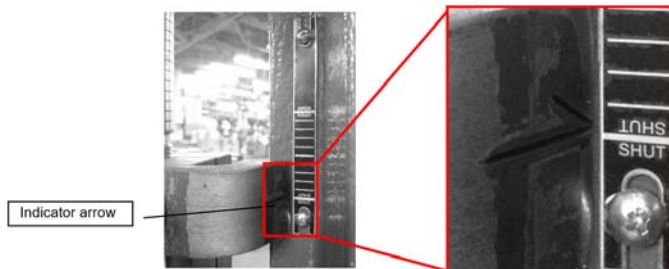
## 10.3 Size 23L (4 inch)

Actuators on most metal seated reciprocating valves. Refer to the specific valve instructions for other trim types, such as pilot operated valves (41405) and soft seat designs.

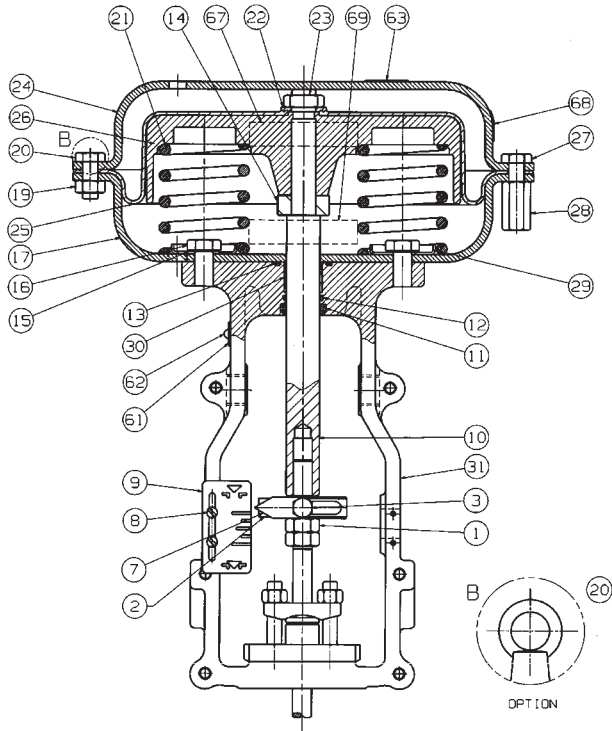
- A. Install actuator on the valve body with drive nut.
- B. Connect manual loading panel tubing to the Diaphragm case.
- C. Retract the actuator stem pneumatically till the metal touch has been made with diaphragm case and actuator stem or stoppers (full open position).
- D. Extend the actuator stem till the same stroke with valve rated stroke pneumatically, and keep the opening position.
- E. Position the split clamp with same distance as shown below. If the split clamp does not engage with both stems, then extend the actuator stem till alignment and engagement is achieved.



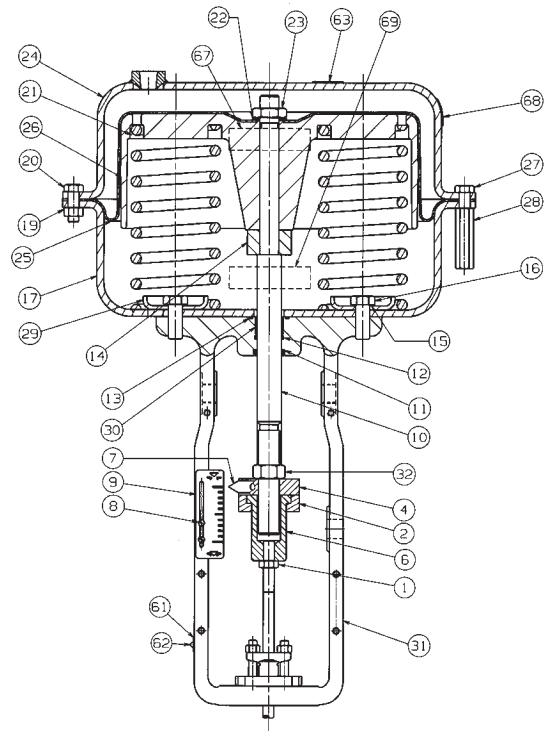
- F. Assemble and tighten indicator arm, spring lock washers and hexagon bolts.
- G. Temporary tighten the cross recessed head screw and fix the indicator plate.
- H. Punch an indicator arrow on the indicator plate and adjust indicator plate to the right position as shown in the photo below.



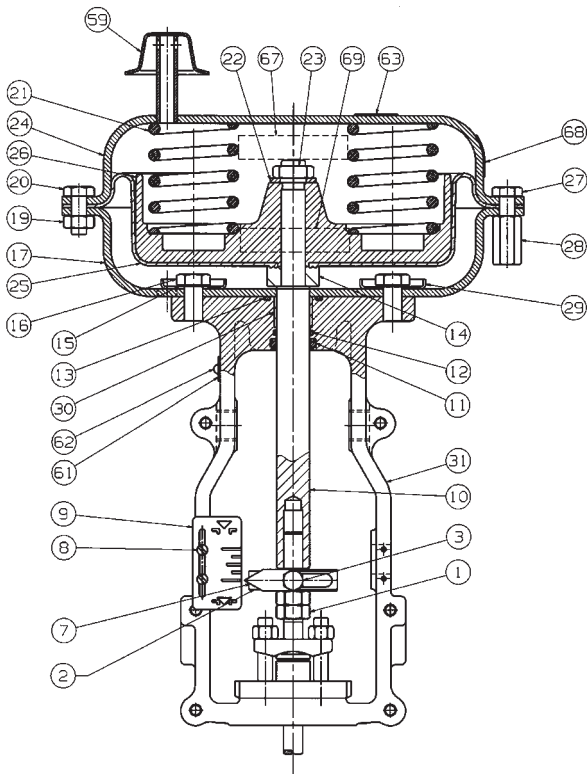
- I. Make sure that the valve rated stroke is kept then remove the manual loading panel.



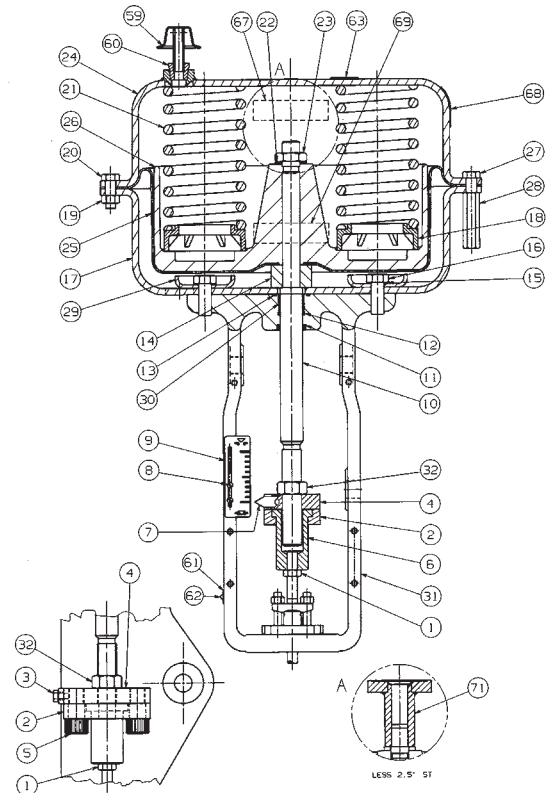
**Figure 5 - Size 6 Actuator  
Air to Close (Model 87)**



**Figure 6 - Size 10, 16 and 23 Actuator  
Air to Close (Model 87)**



**Figure 7 - Size 6 Actuator  
Air to Open (Model 88)**



**Figure 8 - Size 10, 16 and 23 Actuator  
Air to Open (Model 88)**



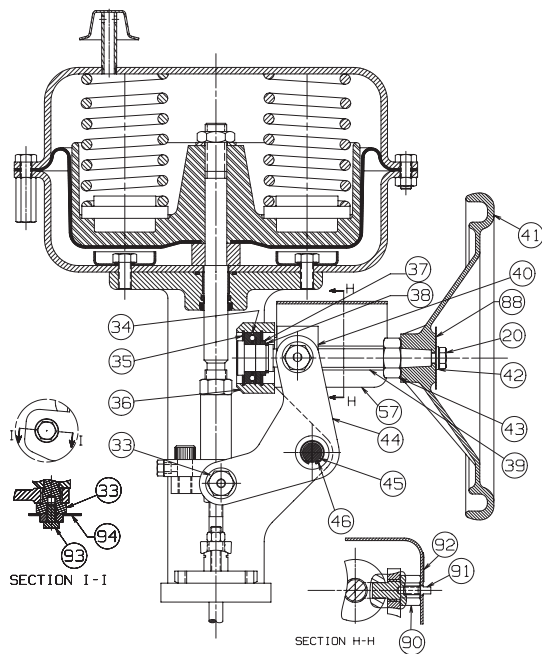


Figure 9 - Size 6 and 10 Actuator with optional Handwheel

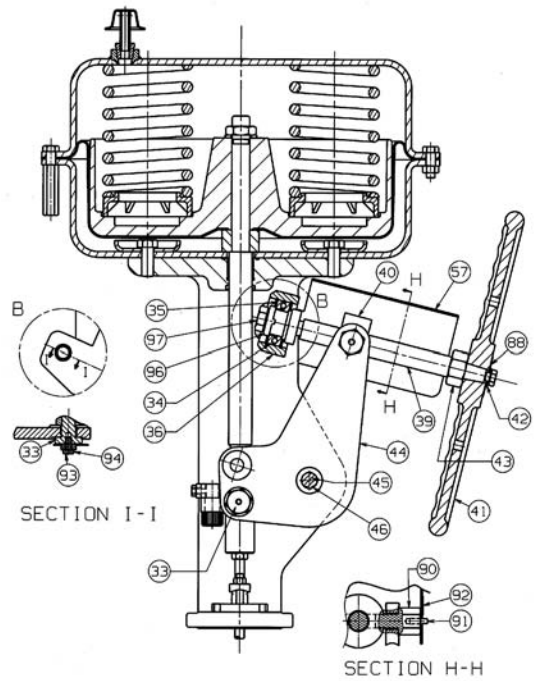


Figure 10 - Size 16 and 23 Actuator with optional Handwheel

Parts Reference Table

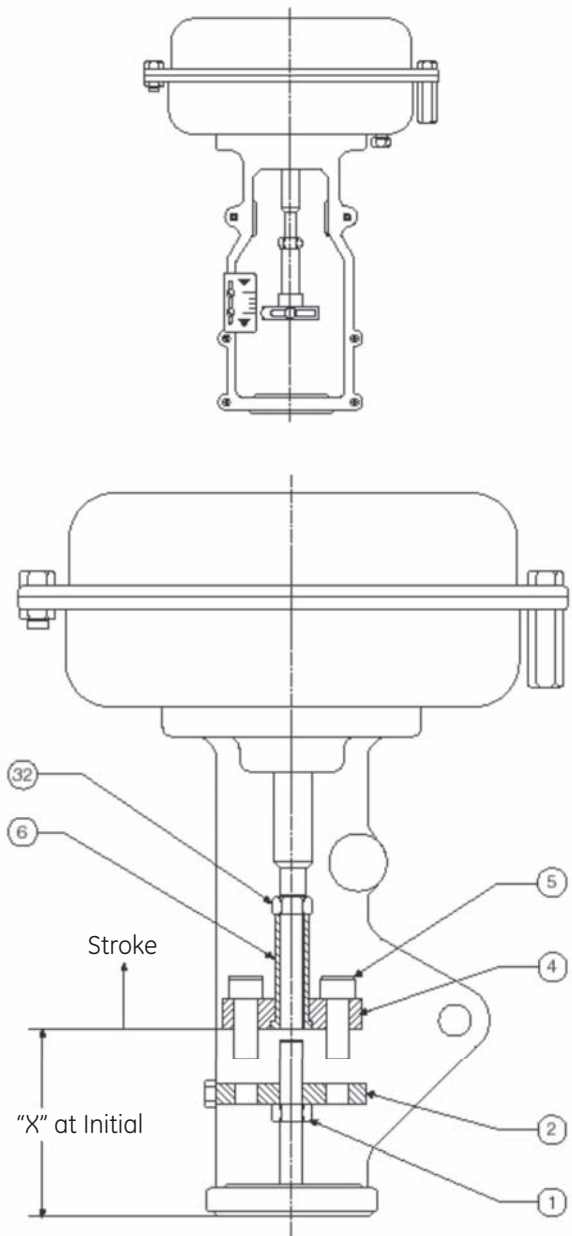
Ref.No	Description	Ref.No	Description	Ref. No	Description
1	Lock Nut	22	Washer-Flat	43	HW Limitation Nut
■2	Stem Connector-Bottom	23	Nut-Jam	44	HW Lever
3	Cap Screw-Pointer	24	Upper Diaphragm Case	45	Lever Pin
★4	Stem Connector-Top	●25	Diaphragm	46	Retaining Ring-Lever Pin
★5	Cap Screw-Connector	26	Diaphragm Plate	57	HW Cover
★6	Connector Insert	27	Cap Screw-Comp	59	Vent Plug
7	Pointer	28	Compression Nut	▲60	Pipe Fitting
8	Screw-Pan Head	29	Spring Guide	63	Information Seal
9	Travel Scale	30	Bushing	67	Warning Seal
10	Actuator Stem	31	Yoke	68	Warning Seal - Arrow
●11	Stem Wiper	★32	Lock Nut	69	Warning Seal
●12	Oring	33	Pivot Pin	88	Plate-Rotation Arrow
●13	Oring	34	Thrust Bearing	90	Pivot Pin-HW Lock
14	Spacer	35	Retaining Ring	91	Handwheel Lock Pin
●15	Seal Washer	36	HW Pivot	92	Information Plate-HW
16	Cap Screw-Yoke	▲37	Bearing Ring	93	Cap Screw-Hex Head
17	Lower Diaphragm Case	▲38	Retaining Ring	94	Washer-Flat
18	Spring Spacer	39	HW Stem	96	End Flange
19	Hex Nut	40	Traveling Nut	97	Cap Screw-HW Stem
20	Cap Screw-Hex Head	41	Handwheel		
21	Spring	42	Washer-Flat		

- Recommended Spare Parts
- ★ Not provided for Size 6
- Stem Flange on Size 6 Actuator

▲ Not provided for Size 16 and 23

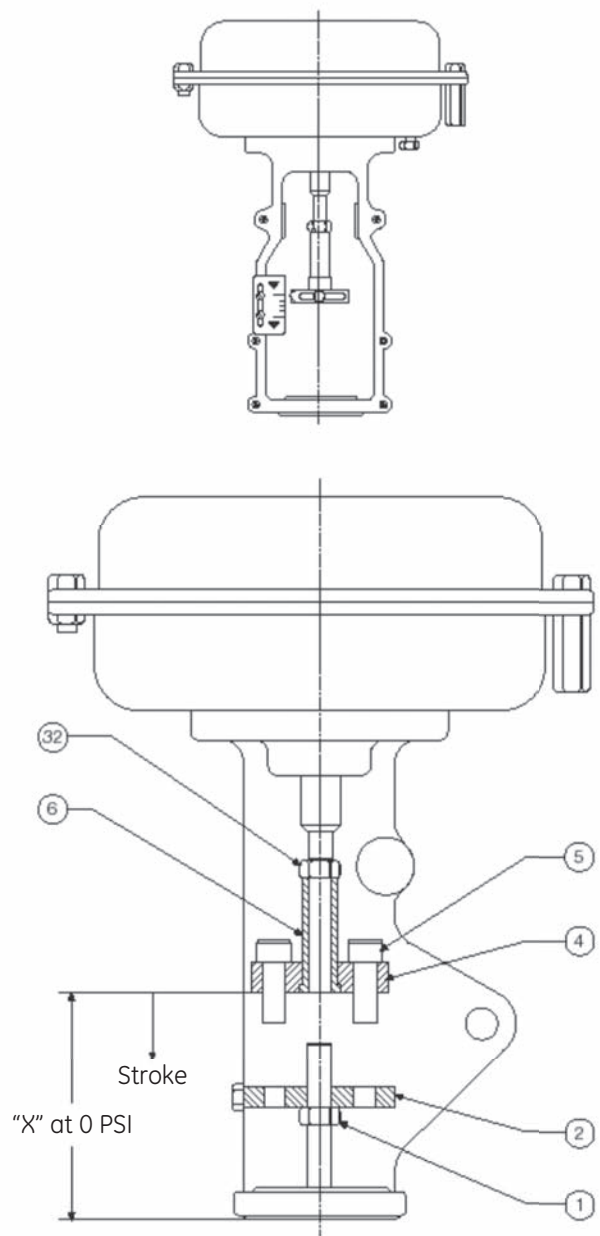
▲ Not provided for Size 6 and 10





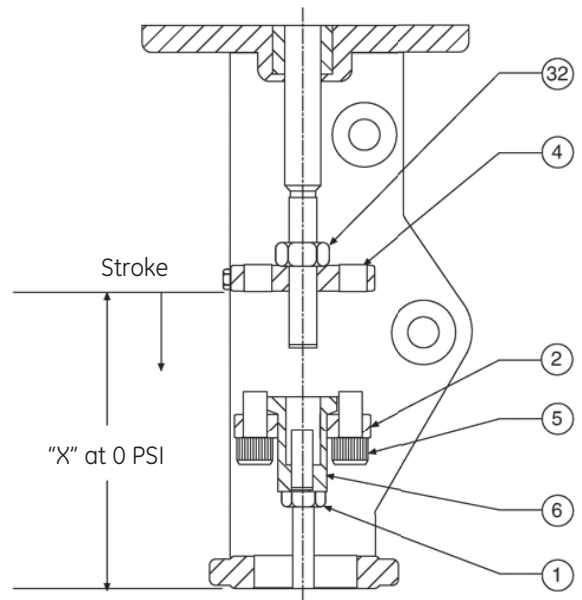
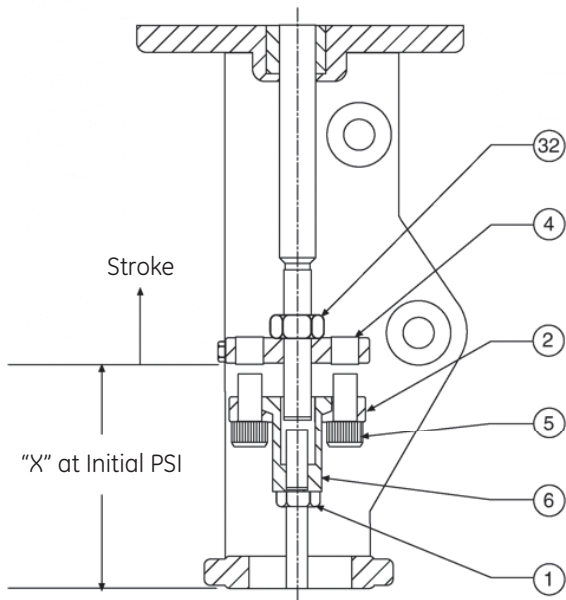
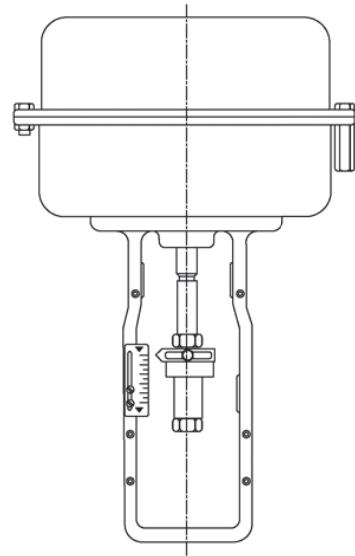
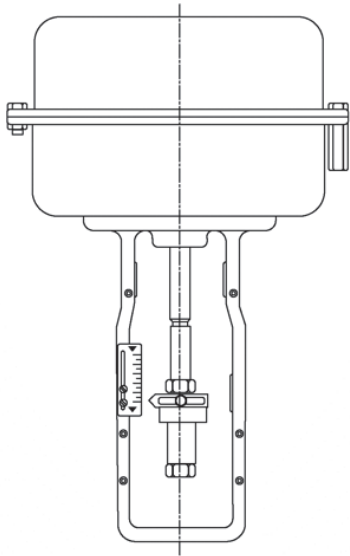
**Figure 11 - Model 88 Actuator  
Air to Open Actuator**

Actuator Size	Stroke	"X" at Initial PSI
6	0.8" (20mm)	3.54" (89.9mm)
10	0.8"-1.5" (20-38mm)	4.62" (117.4mm)



**Figure 12 - Model 87 Actuator  
Air to Close Actuator**

Actuator Size	Stroke	"X" at 0 PSI
6	0.8" (20mm)	4.48" (113.9mm)
10	0.8" (20mm)	5.12" (130.0mm)
	1.5" (38mm)	5.44" (138.2mm)



**Figure 13 - Model 88 Actuator  
Air to Open**

**Figure 14 - Model 87 Actuator  
Air to Close**

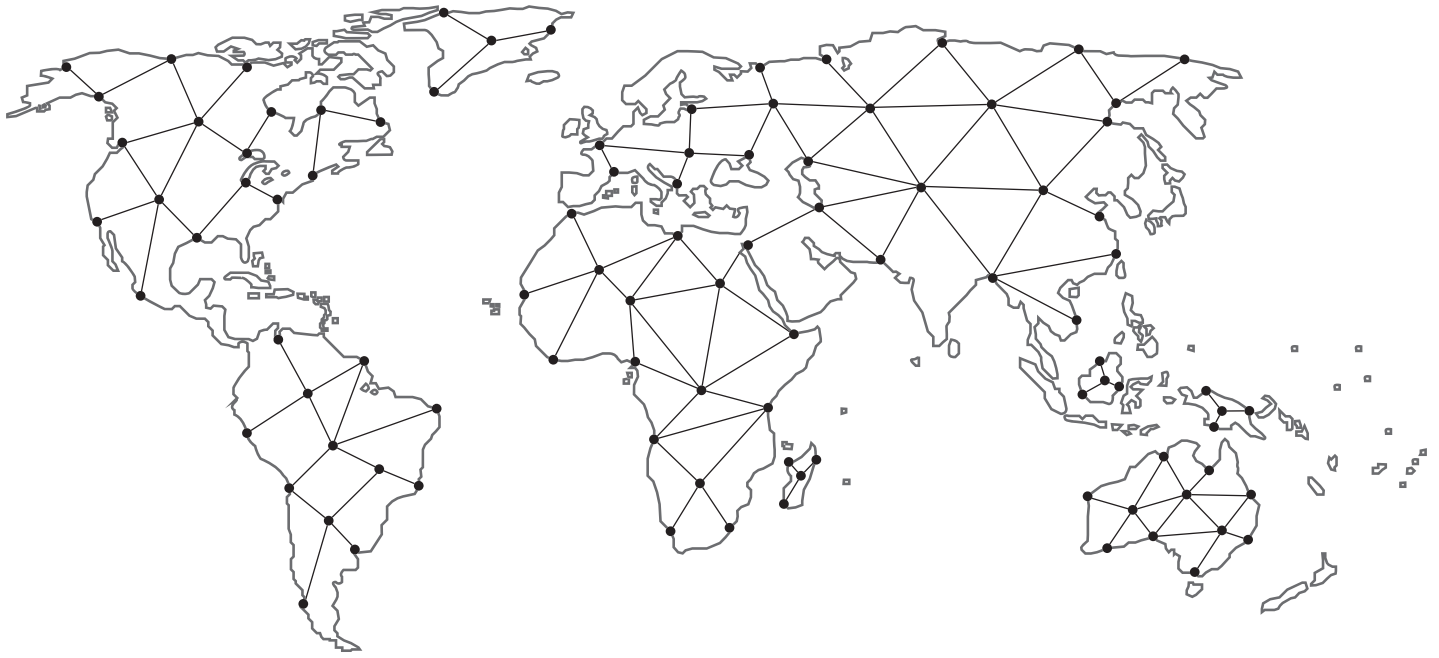
Actuator Size	Stroke	"X" at Initial PSI
16 & 23	0.8"-2.5 (20-64mm)	7.02" (178.3mm)

Actuator Size	Stroke	"X" at 0 PSI
16	0.8" (20mm)	8.00" (203.2mm)
	1.5" (38mm)	8.50" (215.9mm)
	2.0" (51mm)	9.28" (235.7mm)
	2.5" (64mm)	9.50" (241.3mm)
23	0.8" (20mm)	8.25" (209.6mm)
	1.5" (38mm)	8.62" (218.9mm)
	2.0" (51mm)	9.12" (231.6mm)
	2.5" (64mm)	9.59" (243.6mm)

# Notes

# Find the nearest local Channel Partner in your area:

[valves.bakerhughes.com/contact-us](https://valves.bakerhughes.com/contact-us)



## Tech Field Support and Warranty:

Phone: +1-866-827-5378

[valvesupport@bakerhughes.com](mailto:valvesupport@bakerhughes.com)

[valves.bakerhughes.com](https://valves.bakerhughes.com)

Copyright 2024 Baker Hughes Company. All rights reserved. Baker Hughes provides this information on an "as is" basis for general information purposes. Baker Hughes does not make any representation as to the accuracy or completeness of the information and makes no warranties of any kind, specific, implied or oral, to the fullest extent permissible by law, including those of merchantability and fitness for a particular purpose or use. Baker Hughes hereby disclaims any and all liability for any direct, indirect, consequential or special damages, claims for lost profits, or third party claims arising from the use of the information, whether a claim is asserted in contract, tort, or otherwise. Baker Hughes reserves the right to make changes in specifications and features shown herein, or discontinue the product described at any time without notice or obligation. Contact your Baker Hughes representative for the most current information. The Baker Hughes logo Camflex, V-Max, Minitork and Masoneilan are trademarks of Baker Hughes Company. Other company names and product names used in this document are the registered trademarks or trademarks of their respective owners.

**Baker Hughes** 

[bakerhughes.com](https://bakerhughes.com)