

# Mooney\* Flowgrid\* Valve

## 1"

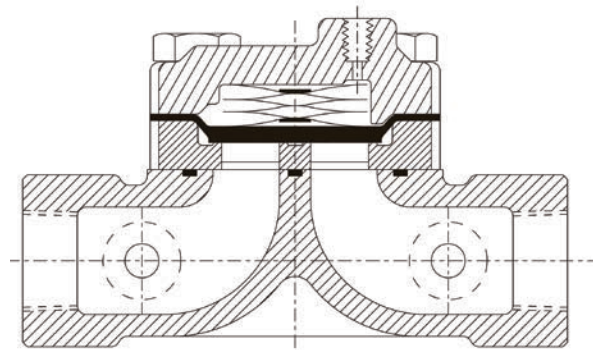
NPT CL 600 | SWE CL 600 | FLANGED CLASS 150-600

The 1" Flowgrid valve is an economical and easy to maintain pilot operated valve for both gas and liquid applications.

The valve is designed to be used in conjunction with a self contained pilot control system as pictured. The 1" regulator is the perfect size when a "farm tap regulator" is too small. The low profile and easy in line maintenance make it ideal for skid mounted, vault and enclosure installations.



1" Flowgrid Valve with Series 20 Pilot



Sectional View

### Specifications

<b>Size</b>	1"
<b>Body Style</b>	Single Port (1")
<b>End Connections</b>	1" CL 150,300, 600 Flanged, 1" CL600 NPT, CL600 SWE
<b>Temperature</b>	Working -20°F to 150°F Emergency -40°F to 175°F
<b>Max. Operating Differential</b>	1000 psi
<b>Max. Emergency Differential</b>	1500 psi
<b>Min. Differential</b>	Refer to graph on page 2
<b>Cracking Differential</b>	Refer to graph on page 2
<b>Max. Inlet Pressure</b>	1480 psig <sup>(1)</sup>
<b>Outlet Pressure Range</b>	Limited By Pilot
<b>Flow Direction</b>	Bi-Directional <sup>(2)</sup>
<b>Body Taps</b>	Two 1/4" - 18NPT

(1) Limited by pilot or flange rating

(2) Reverse flow by changing pilot connections and reversing spring case

### Materials of Construction

<b>Body &amp; Spring Case</b>	ASTM A 216 GR WCB Carbon Steel
<b>Throttle Plate</b>	17 - 4PH Stainless Steel or A515 Carbon Steel with ENC Coating
<b>Diaphragm</b>	Nitrile/Nylon <sup>(1)</sup> Optional (Viton/Nylon)
<b>O-Ring &amp; Seals</b>	Nitrile, Optional (Viton)
<b>Bolting</b>	ASTM A 193 GR B-7 or Equal
<b>Spring</b>	301 Stainless Steel

(1) Refer to diaphragm selection chart on page 2

### Overpressure Protection

The Flowgrid Valve is bi-directional and has a full ANSI rating on both the inlet and outlet. Overpressure protection is required only if the pressure can exceed the flange or body rating.

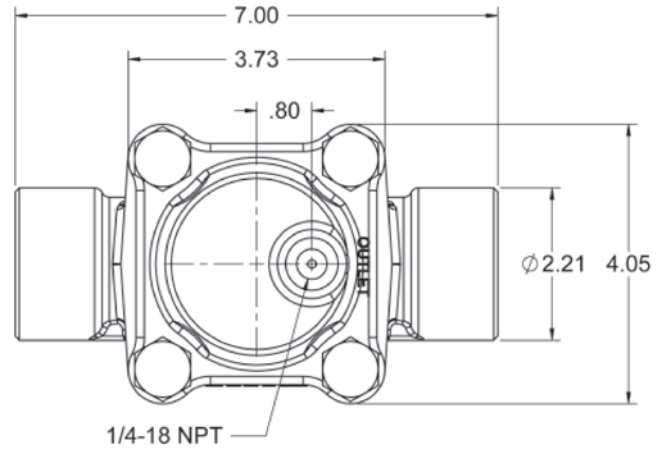
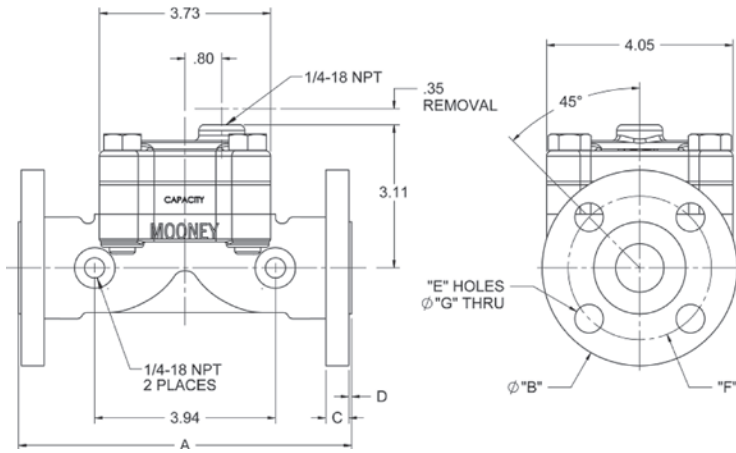
The pilots, like most regulators, may have an outlet pressure rating lower than the inlet pressure rating. If this is the case then some external form of overpressure protection must be provided for the pilot.

Anytime the Flowgrid valve or pilot system is exposed to pressure in excess of its rating it should be inspected for damage.

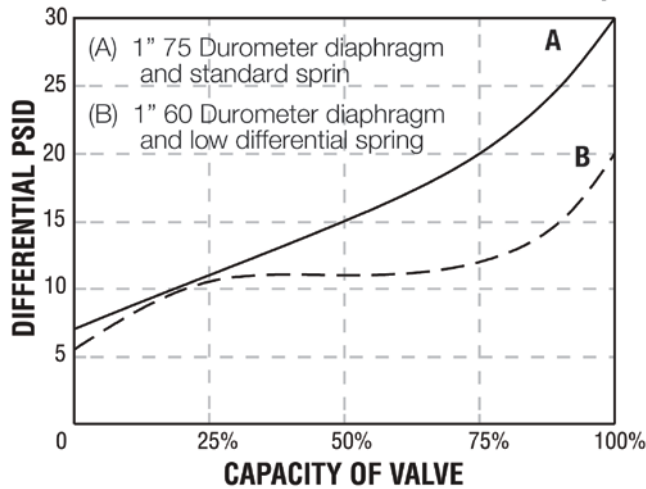
### Stock Numbers

1" Single Port Valve	Stock Number	Weight
150# Flanged	FG-54	13 lbs.
300# Flanged	FG-55	16 lbs.
600# Flanged	FG-56	17 lbs.
CL600 NPT	FG-11	11 lbs.
CL600 SWE	FG-12	11 lbs.

# Dimensions



## Minimum Pressure Differential vs. Capacity



## Flange Dimensions

Flange Class	A	B	C	D	E	F	G
Class 150	7.25	4.25	.50	.06	4	3.12	.63
Class 300	7.25	4.88	.62	.06	4	3.50	.75
Class 600	8.25	4.88	.69	.25	4	3.50	.75

## Flow Coefficients and Constants

% Capacity	1" Single Port Valve			Swage Factor	
	Cv	C <sub>1</sub>	C <sub>g</sub>	:5:1	:1
100%	13.2	34	450	0.96	0.93
75%	10.6	30	320	0.97	0.95
50%	8.9	27	240	0.98	0.96
35%	5.4	26	140	1.00	0.99

**NOTE:** Allow a 5% factor of safety when calculating relief capacity

## Diaphragm Selection

Compound	Temp. Range (°F)	Maximum Differential	Characteristics	Recommended Applications
75 Duro	-20 to 150	1000 psid	Best All Around Material	60 psid to Max. Differential
60 Duro	-25 to 150	300 psid	Best Shutoff at Low Differential Pressure	Low Differential (100 psid or less) or Low Temperature
80 Duro High ACN	-5 to 175	1000 psid	Higher Abrasion and Swelling Resistance	High Differential (400 psid or higher) or Abrasive Conditions with Distillates
80 Duro Low ACN	-20 to 150	1000 psid	Higher Abrasion Resistance and Low Temperature Flexibility	High Differential (400 psid or higher) or Abrasive Conditions at Low Temperatures

[bhge.com](http://bhge.com)

\*Denotes a trademark of Baker Hughes, a GE company LLC.

Other company names and product names used in this document are the registered trademarks or trademarks of their respective owners.

© 2018 Baker Hughes, a GE company LLC - All rights reserved.

Baker Hughes reserves the right to make changes in specifications and features shown herein, or discontinue the product described at any time without notice or obligation. Contact your BHGE representative for the most current information. The Baker Hughes logo is a trademark of Baker Hughes, a GE company. The GE Monogram is a trademark of the General Electric Company.

GEA34011 12/2018

