

Masoneilan

a Baker Hughes business

Model 78-80S & 08-80S Transfer Valves

Instruction Manual (Rev. B)



THESE INSTRUCTIONS PROVIDE THE CUSTOMER/OPERATOR WITH IMPORTANT PROJECT-SPECIFIC REFERENCE INFORMATION IN ADDITION TO THE CUSTOMER/OPERATOR'S NORMAL OPERATION AND MAINTENANCE PROCEDURES. SINCE OPERATION AND MAINTENANCE PHILOSOPHIES VARY, BAKER HUGHES COMPANY (AND ITS SUBSIDIARIES AND AFFILIATES) DOES NOT ATTEMPT TO DICTATE SPECIFIC PROCEDURES, BUT TO PROVIDE BASIC LIMITATIONS AND REQUIREMENTS CREATED BY THE TYPE OF EQUIPMENT PROVIDED.

THESE INSTRUCTIONS ASSUME THAT OPERATORS ALREADY HAVE A GENERAL UNDERSTANDING OF THE REQUIREMENTS FOR SAFE OPERATION OF MECHANICAL AND ELECTRICAL EQUIPMENT IN POTENTIALLY HAZARDOUS ENVIRONMENTS. THEREFORE, THESE INSTRUCTIONS SHOULD BE INTERPRETED AND APPLIED IN CONJUNCTION WITH THE SAFETY RULES AND REGULATIONS APPLICABLE AT THE SITE AND THE PARTICULAR REQUIREMENTS FOR OPERATION OF OTHER EQUIPMENT AT THE SITE.

THESE INSTRUCTIONS DO NOT PURPORT TO COVER ALL DETAILS OR VARIATIONS IN EQUIPMENT NOR TO PROVIDE FOR EVERY POSSIBLE CONTINGENCY TO BE MET IN CONNECTION WITH INSTALLATION, OPERATION OR MAINTENANCE. SHOULD FURTHER INFORMATION BE DESIRED OR SHOULD PARTICULAR PROBLEMS ARISE WHICH ARE NOT COVERED SUFFICIENTLY FOR THE CUSTOMER/OPERATOR'S PURPOSES THE MATTER SHOULD BE REFERRED TO BAKER HUGHES.

THE RIGHTS, OBLIGATIONS AND LIABILITIES OF BAKER HUGHES AND THE CUSTOMER/OPERATOR ARE STRICTLY LIMITED TO THOSE EXPRESSLY PROVIDED IN THE CONTRACT RELATING TO THE SUPPLY OF THE EQUIPMENT. NO ADDITIONAL REPRESENTATIONS OR WARRANTIES BY BAKER HUGHES REGARDING THE EQUIPMENT OR ITS USE ARE GIVEN OR IMPLIED BY THE ISSUE OF THESE INSTRUCTIONS.

THESE INSTRUCTIONS ARE FURNISHED TO THE CUSTOMER/OPERATOR SOLELY TO ASSIST IN THE INSTALLATION, TESTING, OPERATION, AND/OR MAINTENANCE OF THE EQUIPMENT DESCRIBED. THIS DOCUMENT SHALL NOT BE REPRODUCED IN WHOLE OR IN PART WITHOUT THE WRITTEN APPROVAL OF BAKER HUGHES.

Table of Contents

- 1. Overview _____ 5
- 2. Specifications _____ 5
- 3. Certifications _____ 5
- 4. Mounting _____ 5
- 5. Adjustment _____ 6
- 6. Maintenance _____ 6

Safety Information

Important - Please read before installation

These instructions contain **DANGER**, **WARNING**, and **CAUTION** labels, where necessary, to alert you to safety related or other important information. Read the instructions carefully **before** installing and maintaining your control valve. **DANGER** and **WARNING** hazards are related to personal injury. **CAUTION** hazards involve equipment or property damage. Operation of damaged equipment can, under certain operational conditions, result in degraded process system performance that can lead to injury or death. Total compliance with all **DANGER**, **WARNING**, and **CAUTION** notices is required for safe operation.



This is the safety alert symbol. It alerts you to potential personal injury hazards. Obey all safety messages that follow this symbol to avoid possible injury or death.



Indicates a potentially hazardous situation which, if not avoided, could result in death or serious injury.



Indicates a potentially hazardous situation which, if not avoided, could result in serious injury.



Indicates a potentially hazardous situation which, if not avoided, could result in minor or moderate injury.



When used without the safety alert symbol, indicates a potentially hazardous situation which, if not avoided, could result in property damage.

Note: Indicates important facts and conditions.

About this Manual

- The information in this manual is subject to change without prior notice.
- The information contained in this manual, in whole or part, shall not be transcribed or copied without Baker Hughes's written permission.
- Please report any errors or questions about the information in this manual to your local supplier.
- These instructions are written specifically for the **Masoneilan™** Model 78-80S and Model 08-80S transfer valve, and do not apply for other valves outside of this product line.

Warranty

Items sold by Baker Hughes are warranted to be free from defects in materials and workmanship for a period of one year from the date of shipment provided said items are used according to Baker Hughes recommended usages. Baker Hughes reserves the right to discontinue manufacture of any product or change product materials, design or specifications without notice.

Note - prior to installation:

- **The valve must be installed, put into service and maintained by qualified and competent professionals who have undergone suitable training.**
- **All surrounding pipelines must be thoroughly flushed to ensure all entrained debris has been removed from the system.**
- **Under certain operating conditions, the use of damaged equipment could cause a degradation of the performance of the system which may lead to personal injury or death.**
- **Changes to specifications, structure, and components used may not lead to the revision of this manual unless such changes affect the function and performance of the product.**

1. Overview

The **Model 78-80S** is a transfer valve combining a pilot valve of the floating ball type and three-port valve into one unit and is a standard-capacity three-way transfer valve of a set pressure regulating type. The other **model 08-80S**, is the same as the 78-80S except that a pilot valve is not combined and is the so-called three-way transfer valve. If several 78-80S are needed, one 78-80S can be installed, connecting 08-80Ss to it by mating the pilot outlet pressure (“SIG.OUT”) on the 78-80S to “SIG” on the 08-80S to simplify piping and achieve transfer.

The structures of these models are shown on pages 8 and 9.

2. Specifications

- Maximum operating pressure
Body 1.72 Mpa
Signal part 1.03 Mpa
- Set pressure range: 100kPa to 700kPa
- Hysteresis: 34kPa or less
- CV value
IN→ OUT 0.8
OUT→EXH 1.3
- Connection
IN, OUT, EXH and SIGNAL connection ports: Rc 1/4 (Option NPT 1/4)
- Operating temperature range: -30°C to +83°C (option: 0°C to +100°C)

3. Certifications

This instrument is certified in:

- Azerbaijan (AzSERTCENTER)
- Armenia
- Belarus
- Kazakhstan
- Russian Federation (CU-TR Ex)
- Uzbekistan (UZSTANDART)
- China (China Ex)
- and is also **ATEX compliant**.

4. Mounting

Clean all the pipes before mounting the valve and completely remove dust, scale and other foreign matter. Mount the transfer valve as close to the actuator as possible and let air flow toward the IN and OUT marks located on the lower side of the body. When using the valve as a lock-up valve, put a blind plug in the EXH port.

Two air connection ports to the pilot part are provided on the 78-80S, one being marked SIG and the other, SIG OUT. Connect the signal pressure to the port marked SIG. Use SIG.OUT for sending signal to the 08-80S when it is also mounted.

The transfer valve functions to cut off IN and to connect OUT to EXH when the signal pressure lowers below the set pressure or is reduced to zero.

CAUTION

Do not use signal pressure at air pressure exceeding 1.03Mpa (10.5kgf/cm2).

Feeding signal pressure from near the IN side of the body will cause fluctuations in signal and air pressures. This may cause hunting.

5. Adjustment

The necessary settings of the transfer valve are generally performed at the factory and adjustment of it is not required. If, however, the setting pressure needs to be adjusted, make adjustment as follows:

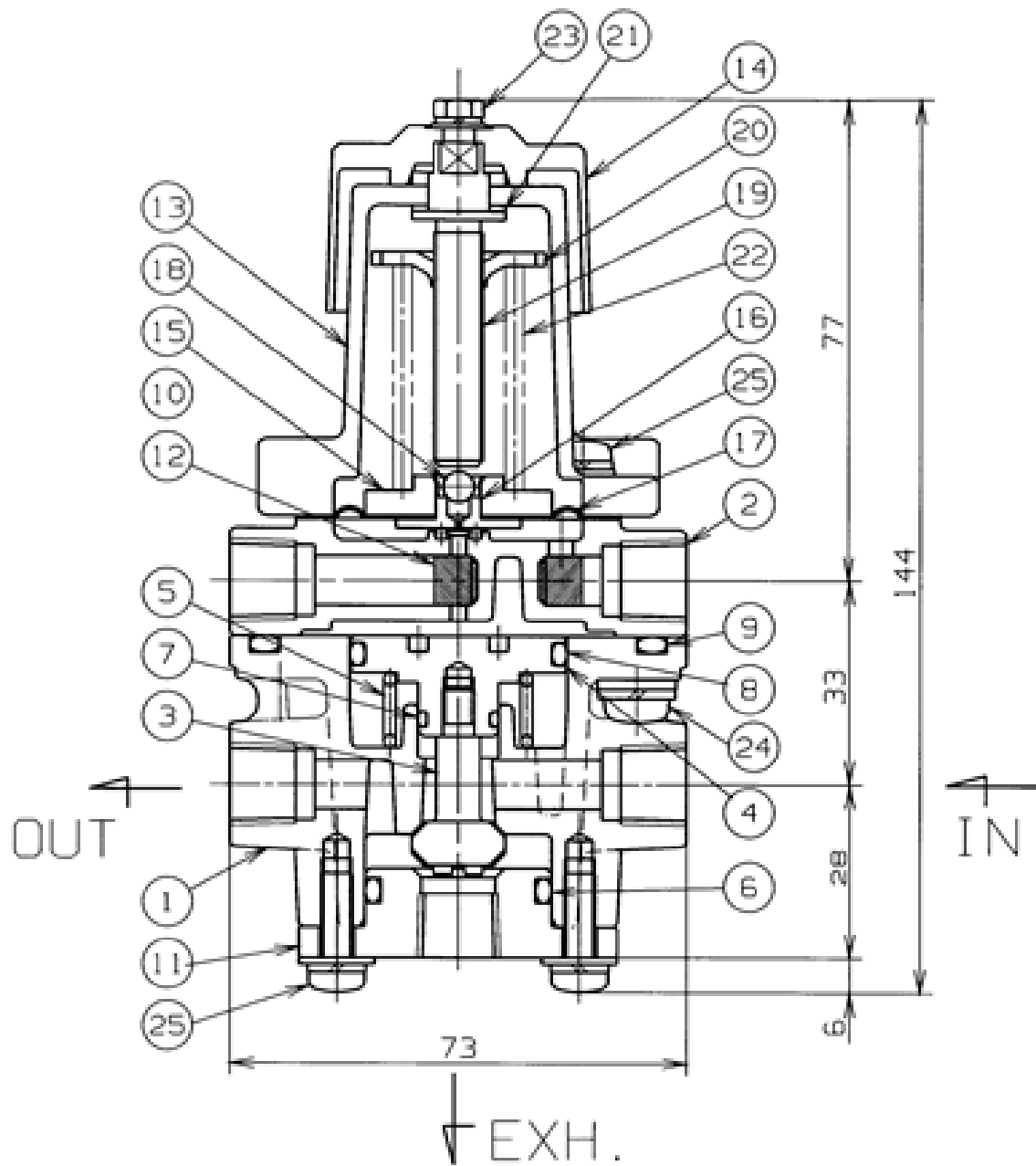
- a) Loosen the lock screw (23) and turn the adjust knob (14) counterclockwise to release the compression of the spring (22).
- b) Turn the adjust knob (14) one or two turns clockwise to tighten it and to slightly compress the spring (22).
- c) Connect air pressure to “IN” marked on the body to check whether the body is open or closed. Then connect the pressure gauge and pressure reducing valve to the signal pressure connection port SIG.
- d) Apply supply air pressure and set the air pressure to SIG at specified pressure by operating the pressure reducing valve while watching air pressure to SIG on the pressure gauge.
- e) Turn the adjust knob (14) clockwise until air pressure no longer leaks through “OUT” marked on the body.
- f) This will cut off IN, and OUT and EXH will open in the transfer valve.
- g) Lastly, fasten the lock screw (23) and fix it.

CAUTION

The ball (18) temporarily floats to transfer the pilot part and the valve emits a light beat tone when the set and signal pressures become the same. This is not an anomaly. The beating sound will stop when the transfer ends.

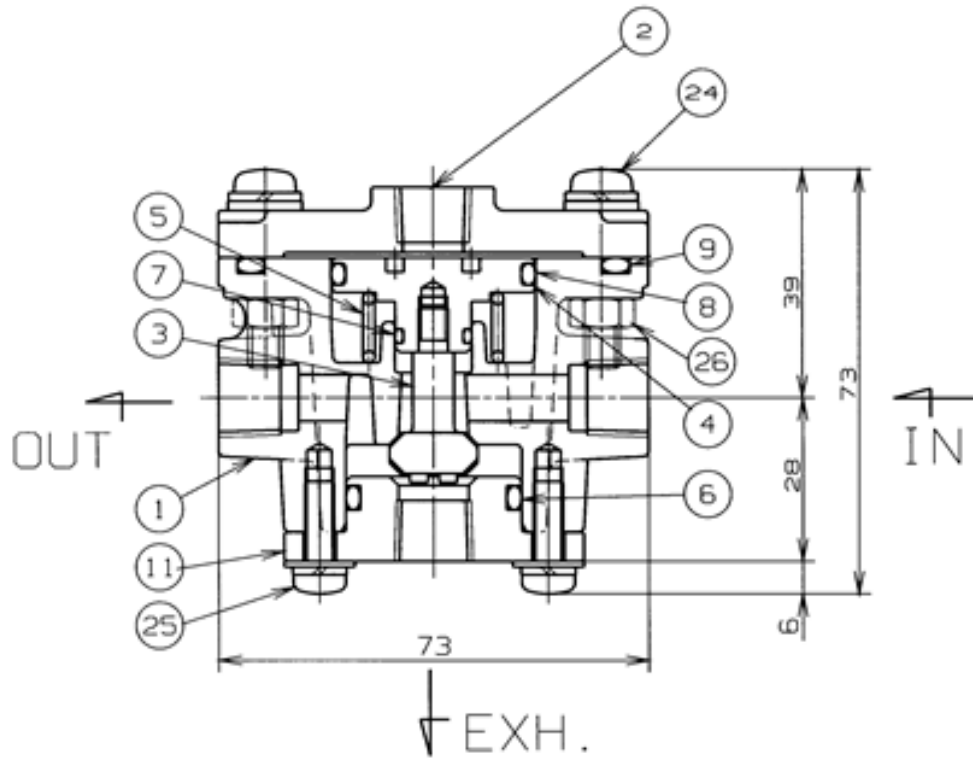
6. Maintenance

Rubber is used in various parts of the transfer valve. Periodical exchange of this rubber every five years is recommended. Your valve will be checked and repaired at our factory if a check or a repair becomes necessary. Contact our agent or sales office for a check or a repair.



Transfer Valve Model 78-80S
Sectional Drawing

Part N°	Part Name	Material	Qty
1	Body	ADC 12/ANODIZE	1
2	Housing	ADC 12/CHROMATE	1
3	Plug	SUS303/NBR	1
4	Piston	ADC12/CHROMATE	1
5	Spring	SUS304-WPB	1
6	O-Ring	NBR	1
7	O-Ring	NBR	1
8	O-Ring	NBR	1
9	O-Ring	NBR	1
11	Bottom Cap	ADC12/CROMATE	1
12	Filter	SUS304	2
13	Spring Case	ADC12/CHROMATE	1
14	Adjust Knob	VALOX420	1
15	Diaphragm Plate	SUS303	1
16	Exhaust Orifice	SUS303	1
17	Diaphragm	NBR/POLYESTER	1
18	Ball	SUS440C	1
19	Adjust Screw	SUS303	1
20	Spring Button	SPCC-SD	1
21	Spacer	VALOX420	1
22	Spring	SWP B	1
23	Lock Screw	SUS304	1
24	Screw	SUS304	4
25	Screw	SUS304	8

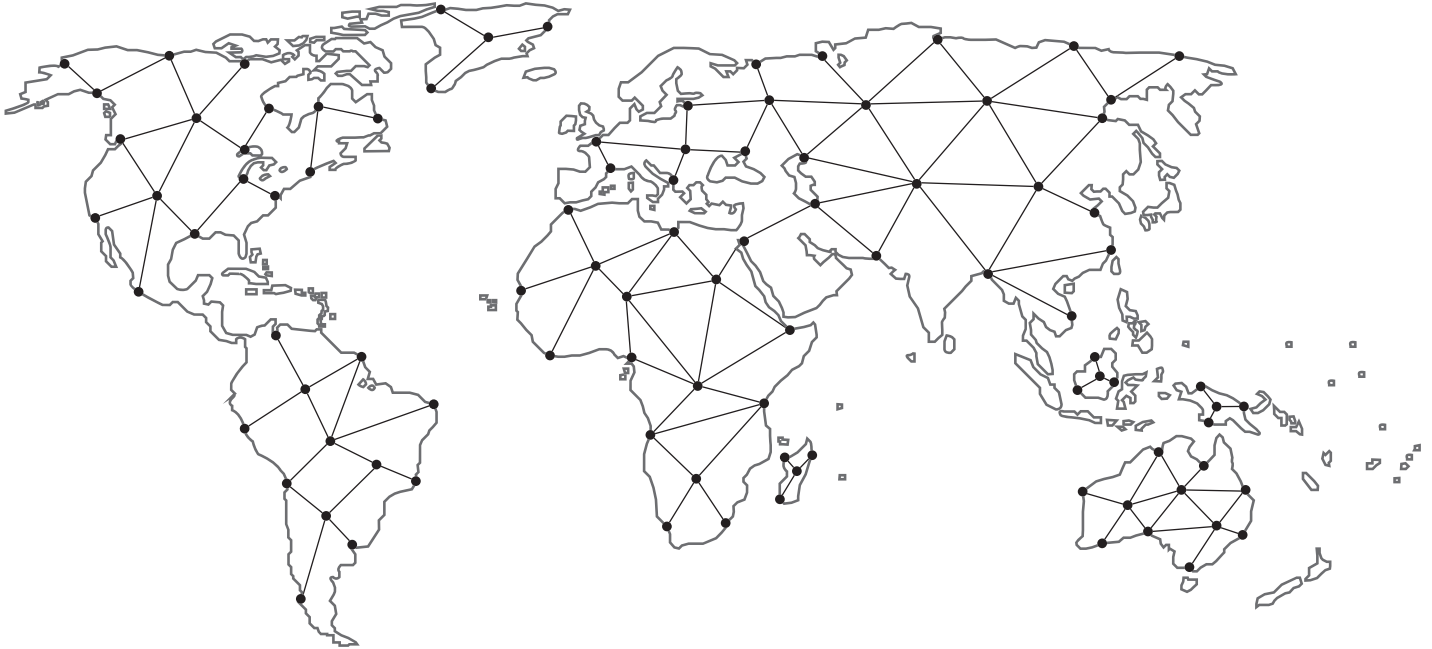


Transfer Valve Model 08-80S
Sectional Drawing

Part N°	Part Name	Material	Qty
1	Body	ADC 12/ANODIZE	1
2	Head Cap	ADC 12/CHROMATE	1
3	Plug	SUS303/NBR	1
4	Piston	ADC12/CHROMATE	1
5	Spring	SUS304-WPB	1
6	O-Ring	NBR	1
7	O-Ring	NBR	1
8	O-Ring	NBR	1
9	O-Ring	NBR	1
11	Bottom Cap	ADC12/CROMATE	1
24	Screw	SUS304	4
25	Screw	SUS304	4
26	Nut	SUS304	4

Find the nearest local Channel Partner in your area:

valves.bakerhughes.com/contact-us



Tech Field Support & Warranty:

Phone: +1-866-827-5378

valvesupport@bakerhughes.com

valves.bakerhughes.com

Copyright 2021 Baker Hughes Company. All rights reserved. Baker Hughes provides this information on an "as is" basis for general information purposes. Baker Hughes does not make any representation as to the accuracy or completeness of the information and makes no warranties of any kind, specific, implied or oral, to the fullest extent permissible by law, including those of merchantability and fitness for a particular purpose or use. Baker Hughes hereby disclaims any and all liability for any direct, indirect, consequential or special damages, claims for lost profits, or third party claims arising from the use of the information, whether a claim is asserted in contract, tort, or otherwise. Baker Hughes reserves the right to make changes in specifications and features shown herein, or discontinue the product described at any time without notice or obligation. Contact your Baker Hughes representative for the most current information. The Baker Hughes logo, and Maseonilan are trademarks of Baker Hughes Company. Other company names and product names used in this document are the registered trademarks or trademarks of their respective owners.

Baker Hughes 

bakerhughes.com