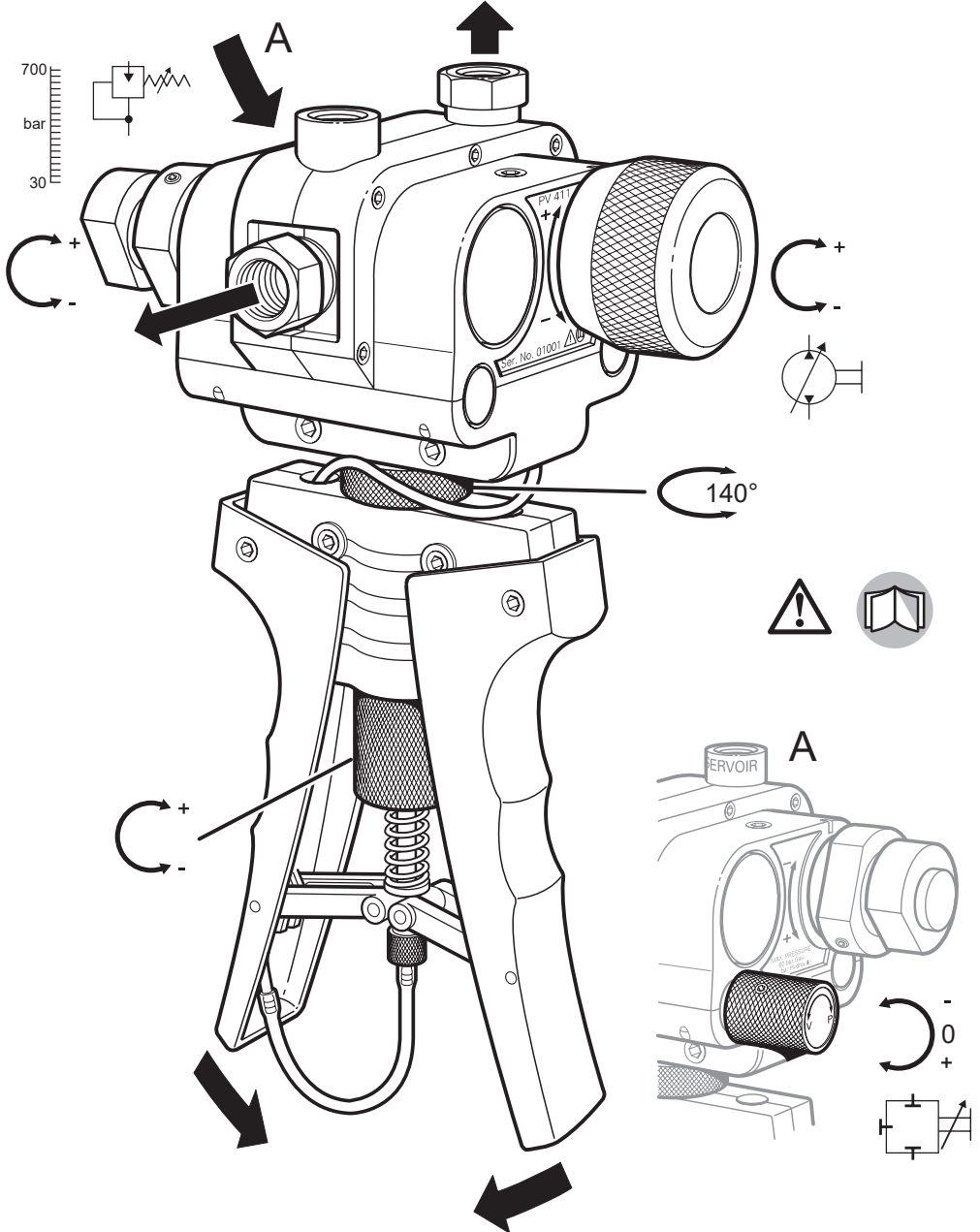
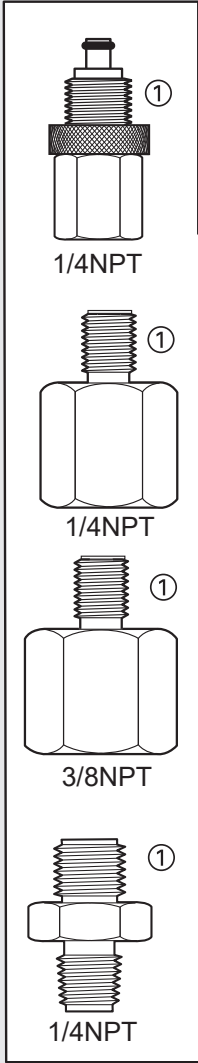


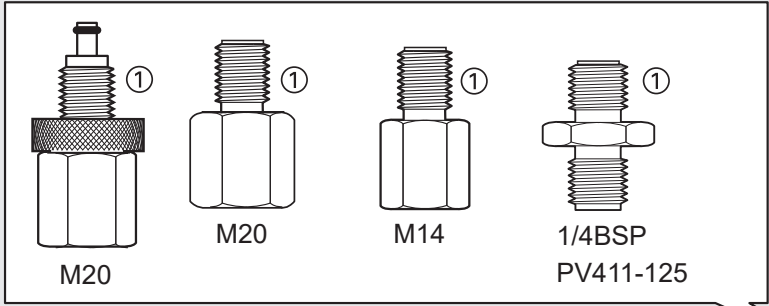
Druck

PV 411A Pneumatic/Hydraulic Hand-Pump Operating Guide

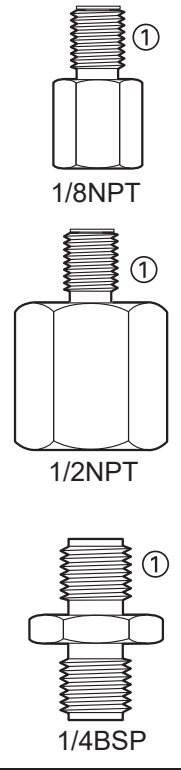




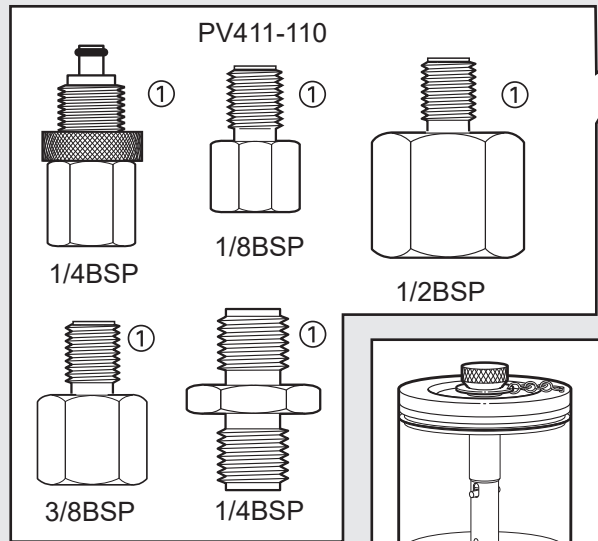
PV-411-P =
 PV-411 +
 PV-411-100 +
 PV-411-105 +
 PV-411-110 +
 PV-411-130



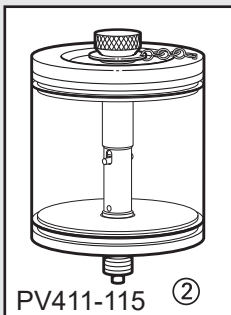
PV-411-120



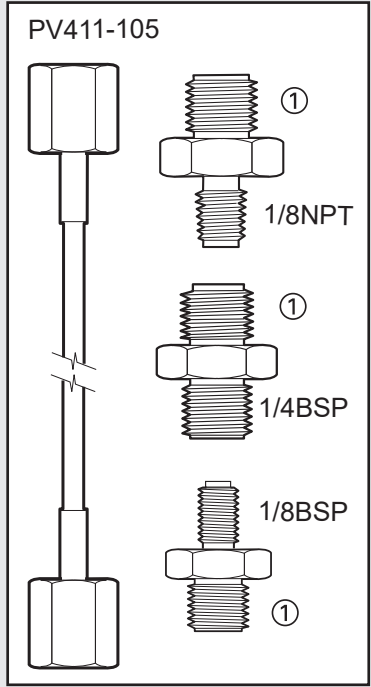
PV-411-HP =
 PV-411-P +
 PV-411-115



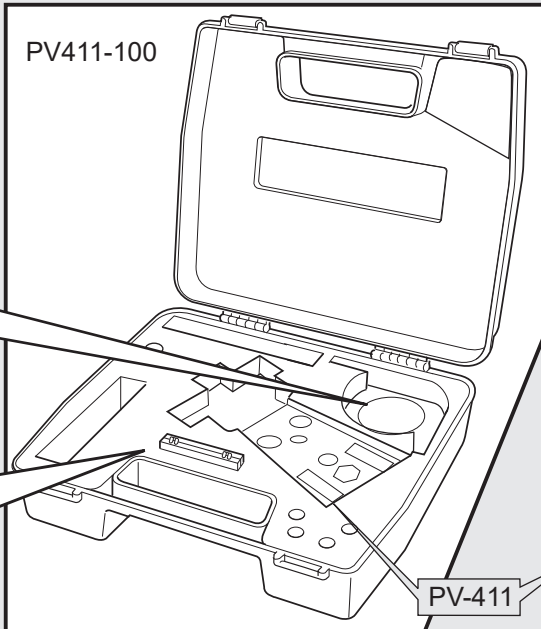
PV411-110



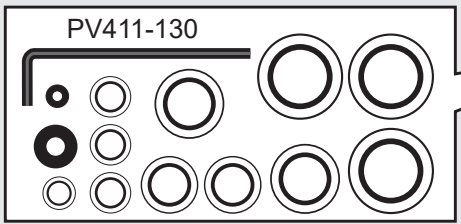
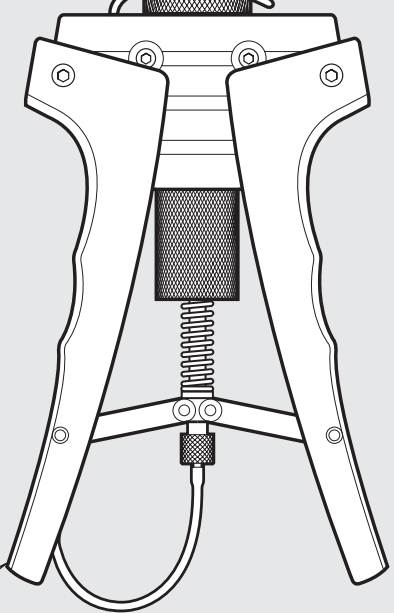
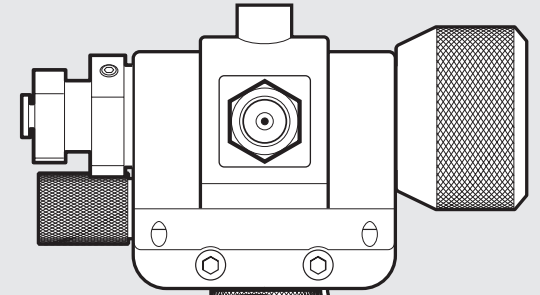
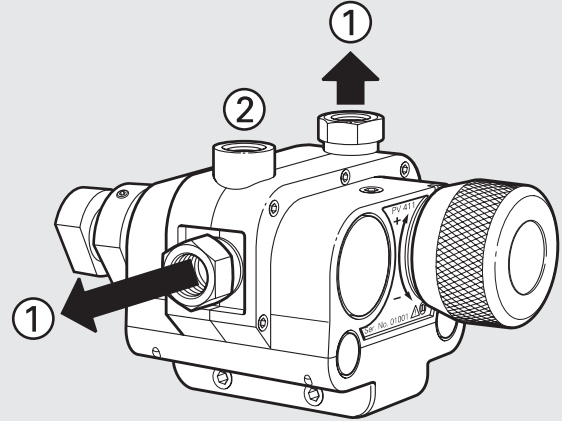
PV411-115 ②



PV411-105



PV411-100



PV411-130

www.druck.com