

21000-EB Series Cryogenic Control Valve

Appendix to 21000 Series Instruction Manual (Rev. B)

General description

The **Masoneilan™ 21000-EB Series cryogenic valve** meets the requirements of cryogenic processes requiring thermal insulation. An insulating interface sets up between the valve body (cold zone) and the bonnet extension end located in the higher temperature area (warm zone). The valve body assembly and its thermal extension are positioned inside a "cold box"

The 21000-EB Series cryogenic valve model is similar to the 21000 standard model, except that an extension bonnet, (EB) (08) and a plug stem with enlarged length replace the standard bonnet and the standard plug stem (01) (see figure).

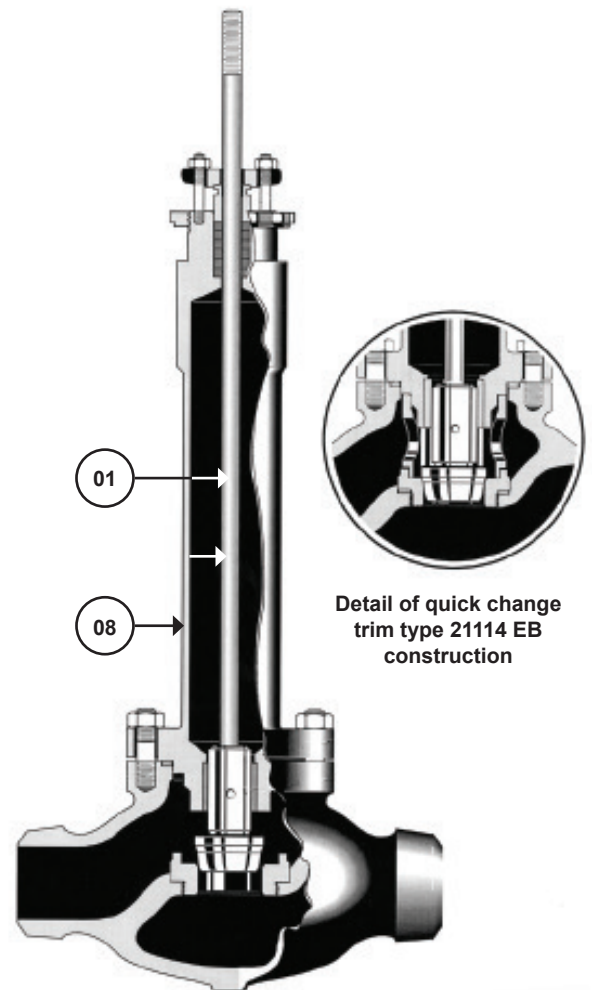
All information regarding disassembly, main seat grinding, reassembly and adjustment described in 21000 Series instruction manual, are applicable, except that the "cold box" must be opened prior to perform maintenance of the valve body subassembly.

Piping end connections

The body of the 21000-EB cryogenic valve must be flanged or butt welded on the line. The maximum allowable pressure is stamped on the serial plate fixed on the yoke of actuator.

Service condition limitation

Flow temperature: -200°C to ambient temperature.



Type 21115 EB
(threaded trim) cryogenic control valve

Copyright 2025 Baker Hughes Company. All rights reserved. Baker Hughes provides this information on an "as is" basis for general information purposes. Baker Hughes does not make any representation as to the accuracy or completeness of the information and makes no warranties of any kind, specific, implied or oral, to the fullest extent permissible by law, including those of merchantability and fitness for a particular purpose or use. Baker Hughes hereby disclaims any and all liability for any direct, indirect, consequential or special damages, claims for lost profits, or third party claims arising from the use of the information, whether a claim is asserted in contract, tort, or otherwise. Baker Hughes reserves the right to make changes in specifications and features shown herein, or discontinue the product described at any time without notice or obligation. Contact your Baker Hughes representative for the most current information. The Baker Hughes logo and Masoneilan are trademarks of Baker Hughes Company. Other company names and product names used in this document are the registered trademarks or trademarks of their respective owners.