

Mooney* 3" Flowgrid* Slam Shut

Flanged CL 150, 300

The 3" Mooney Slam Shut is a unique pneumatically actuated device that automatically provides downstream pressure protection. By separating the pneumatic controller and mechanical latching mechanism, shut off is guaranteed to occur only when designated set points are reached. The patent pending design prevents disruptive and costly "accidental shutoffs". Positive shutoff is achieved instantly through the snap acting mechanism, and reset can be completed with common tools.

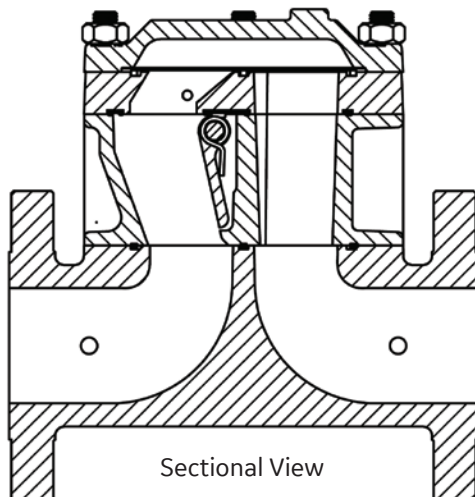


Flowgrid Regulator with Integral Shutoff Valve, Series 50D Dual Function Controller

Specifications

Size	3"
Body Style	Single Port
End Connections	3"CL 150 RF Flange, 3" CL 300 RF Flange, BWE CL150/300
Temperature	Working -20°F to 150°F (-29°C to 65°C)
Maximum Inlet Pressure	740 psig (50 bar)
Outlet Pressure Range	Limited by SSV Controller
Flow Direction	Uni-Directional
Body Taps	Four 1/4" - 18 NPT (one inlet, one center port ¹⁾ , one loading and one downstream)

1) Center port - between flapper valve and regulator



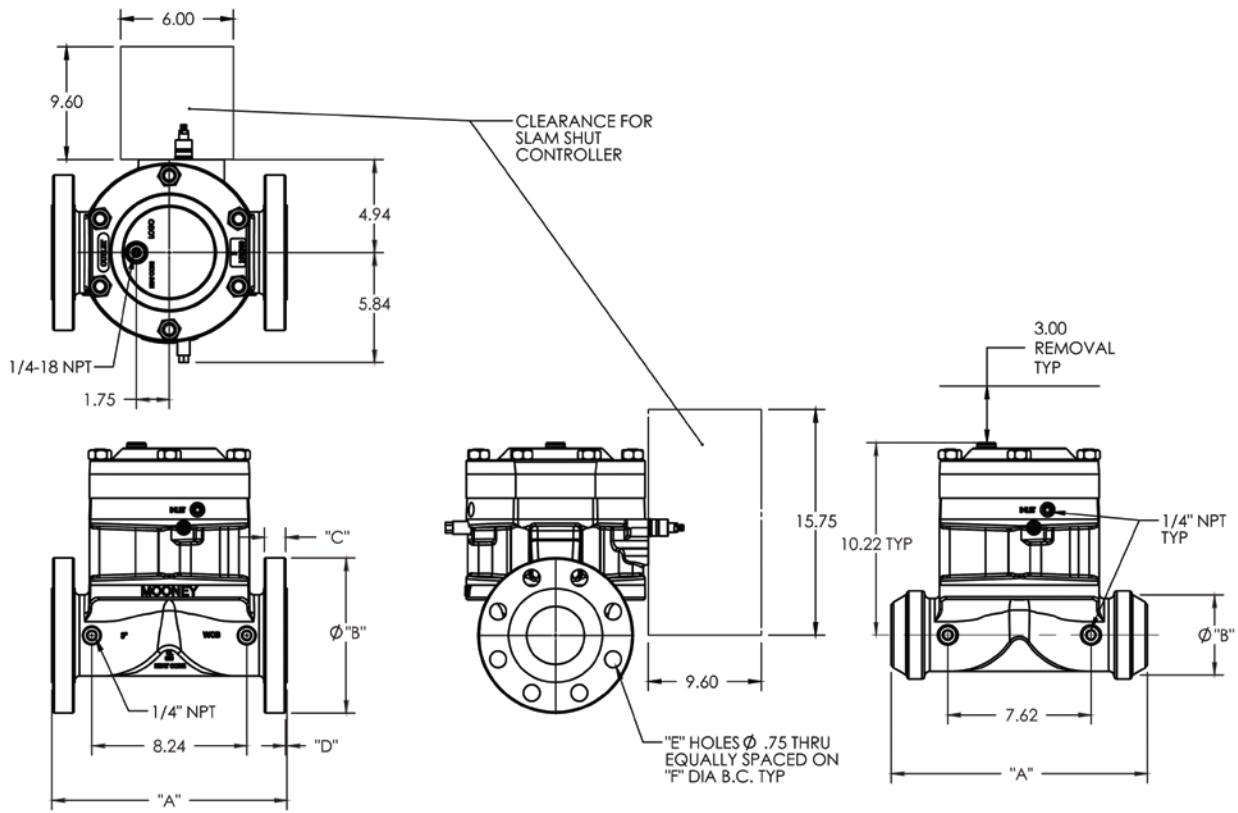
Materials of Construction

Body, Seal Retainer and Flapper Body	ASTM A 216 GR WCB Carbon Steel
Cap	ASTM A 516 Carbon Steel
Flapper and Shaft	17-4 PH Stainless Steel
O-Ring and Seals	Nitrile, Optional Viton®
Studs and Nuts	ASTM A 193 GR B-7 ASTM A 194 GR 2H or Equal
Springs	ASTM A 313-03 17-17 SS
Bushings	Acetal

Stock Numbers

3" Slam Shut	Stock Number	Weight
150# Flange	SA-16	116 lbs.
300# Flange	SA-17	126 lbs.
150/300 Buttweld	SA-61	104 lbs.

Dimensions



Flange Dimensions

Flange Class	A	B	C	D	E	F
Class 150	11.75	7.50	.75	.06	8	6.00
Class 300	12.50	8.25	1.12	.06	8	6.62
Buttweld	13.25	-	-	-	-	-

Flow Coefficients and Constants⁽¹⁾

3" Mooney Slam Shut		
C _v	C ₁	C _B
119	36	4300

1) Preliminary Data

bhge.com

*Denotes a trademark of Baker Hughes, a GE company LLC.

Other company names and product names used in this document are the registered trademarks or trademarks of their respective owners.

© 2018 Baker Hughes, a GE company LLC - All rights reserved.

Baker Hughes reserves the right to make changes in specifications and features shown herein, or discontinue the product described at any time without notice or obligation. Contact your BHGE representative for the most current information. The Baker Hughes logo is a trademark of Baker Hughes, a GE company. The GE Monogram is a trademark of the General Electric Company.

GEA34055 12/2018

**BAKER
HUGHES**
a GE company

